

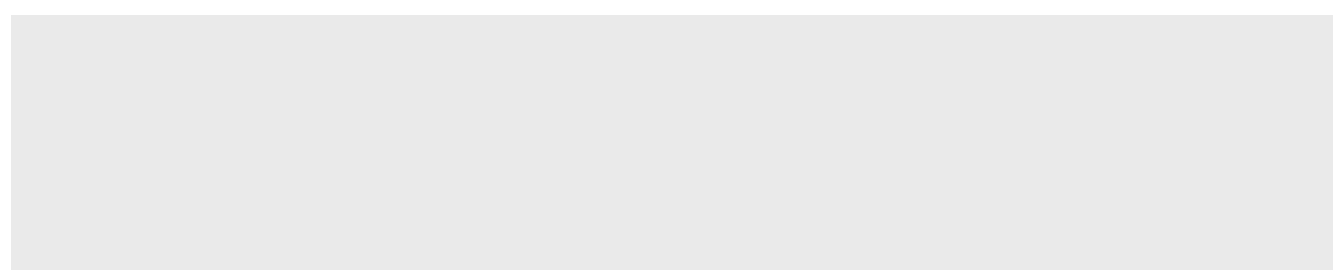
eloma

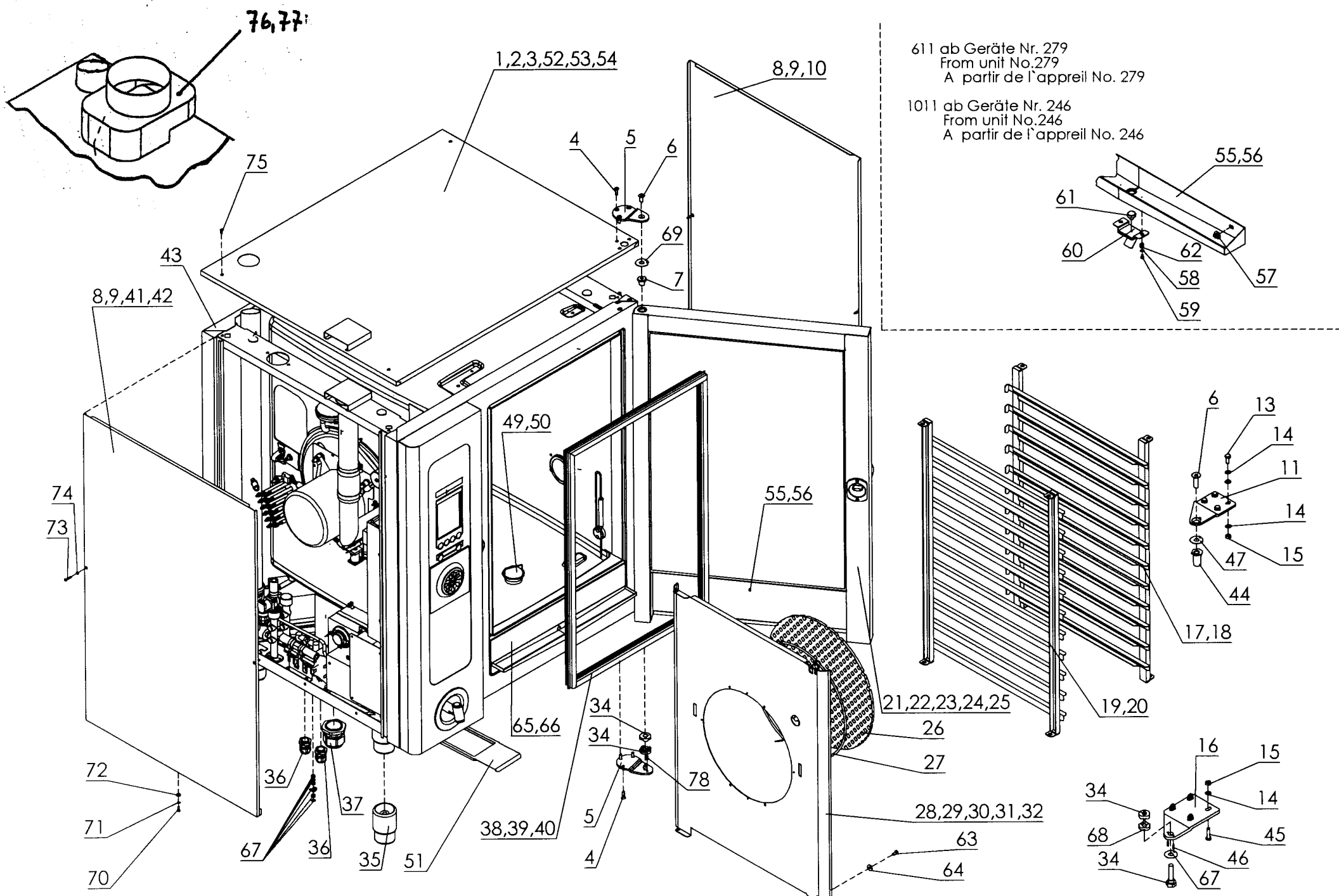
Sparepart list

Combi Steamers Multimax A-B

Genius

Genius Gaz





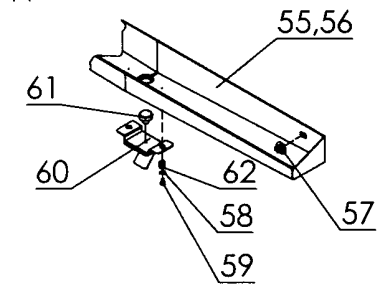
76,77

1,2,3,52,53,54

8,9,10

611 ab Geräte Nr. 279
From unit No.279
A partir de l'appreil No. 279

1011 ab Geräte Nr. 246
From unit No.246
A partir de l'appreil No. 246



74
73

8,9,41,42

43

75

4

5

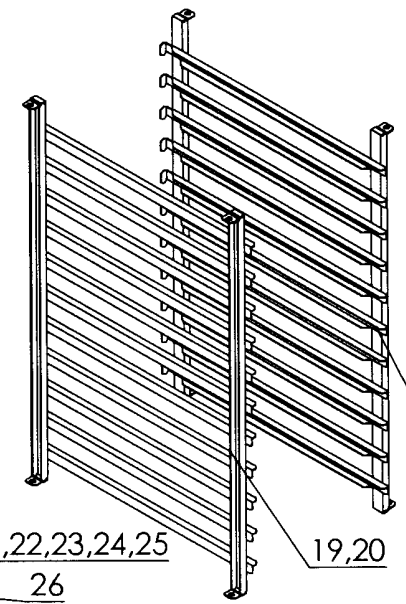
6

69

7

49,50

55,56



21,22,23,24,25

19,20

72

71

70

36

37

35

51

65,66

38,39,40

34

34

5

4

78

28,29,30,31,32

63

64

16

15

34

14

68

45

34

46

67

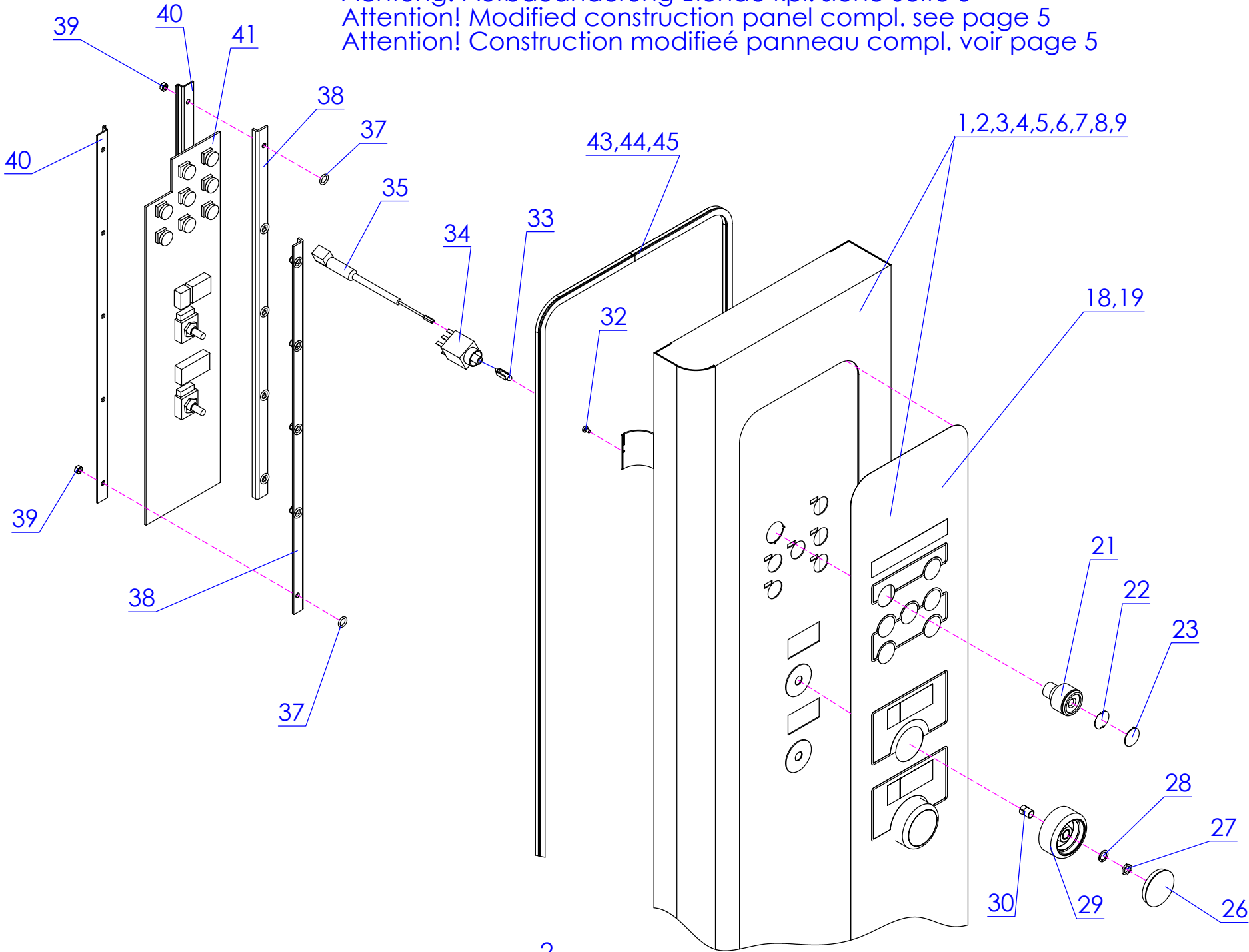
1011 Pos. 26 entfällt ab Geräte Nr. 916
Part No. 26 dropped from unit No. 916
Pièce No. 26 supprimées à partir de l'appreil No. 916

MA /MB/Genius /Genius Gaz/ 6-11 10-11 20-11

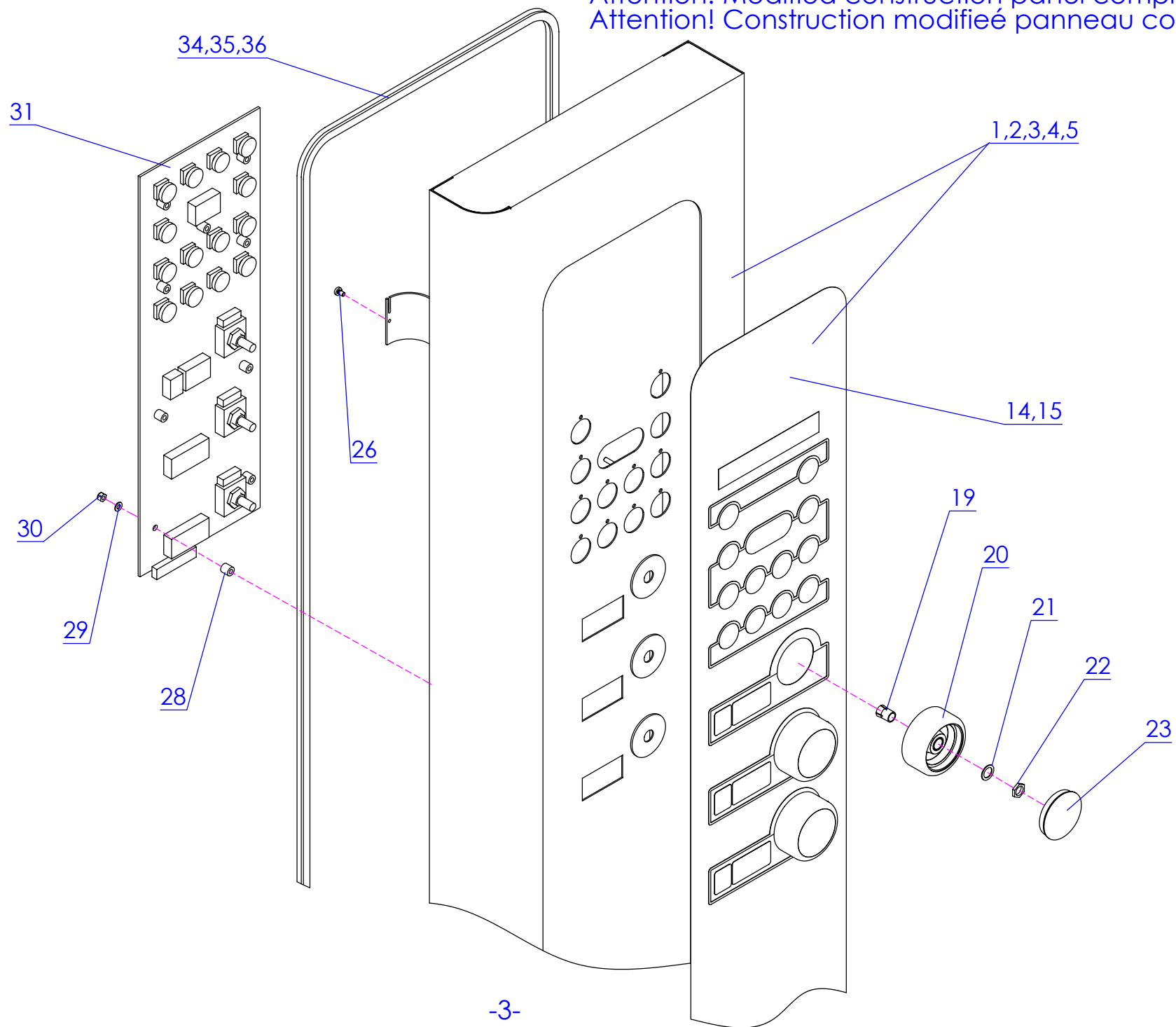
Pos.	Article no.	Description	Genius Gaz	Multimax A	Multimax B	Genius	Autoclean	6-11	10-11	20-11
1	741604	Case lid 6/10-11 hinged right d2k		●	●	●	●	●	●	
2	740942	Case lid 6/10-11 hinged left d2k		●	●	●	●	●	●	
3	741825	Case lid 20-11 d2k		●	●	●	●			●
4	741175	Countersunk screw M6x20 DIN 7991	●	●	●	●	●	●	●	
5	768413	Hing but compl. d2k 610-11	●	●	●	●	●	●	●	
6	e503081	Countersunk screw DIN7991 M8 x 20, V2	●	●	●	●	●	●	●	
7	741434	Cam, door hinge topside 6/10-11 d2k	●	●	●	●	●	●	●	
8	741159	Side panel 6-11 d2k	●	●	●	●	●	●		
9	741655	Side panel 10-11 d2k	●	●	●	●	●		●	
10	741043	Side panel 20-11 d2k	●	●	●	●	●			●
11	745936	Upper hinge butt 2011/1221/	●	●	●	●	●			●
13	e500046	Hexagon cap screw ISO4017 M8 x 20 V2	●	●	●	●	●			●
14	e510016	Toothed disk DIN 6797 J 8,4 V2A	●	●	●	●	●			●
15	e505033	Hexagonal nut ISO 4032 M8 V2A DI	●	●	●	●	●			●
16	772437	Lower hinge butt 20-11,12/20	●	●	●	●	●			●
17	740292	Hang-in rack 6-11 d2k right GN	●	●	●	●	●	●		
18	740357	Hang-in rack 1011 d2k right GN	●	●	●	●	●		●	
19	740306	Hang-in rack 6-11 d2k left GN	●	●	●	●	●	●		
20	740365	Hang-in rack 1011 d2k left GN	●	●	●	●	●		●	
21	752002	Door 611 hinged right d2k	●	●	●	●	●	●		
22	752010	Door 611 hinged left d2k	●	●	●	●	●	●		
23	752169	Door 1011 hinged right d2k	●	●	●	●	●		●	
24	752371	Door 1011 hinged left d2k	●	●	●	●	●		●	
25	755567	Door 2011 hinged right d2k	●	●	●	●	●			●
26	760749	Fat filter 6/11 - 20/11 d2k	●	●	●	●	●	●	●	●
27	e418021	Protective grid, MD/MMD 20-21 D 35	●	●	●	●	●	●	●	●
28	743291	Air conducting sheet cpl. right 6-11 d	●	●	●	●	●	●		
29	740438	Air conducting sheet left compl. 6-11	●	●	●	●	●	●		
30	743305	Air conducting sheet comp right 10-11	●	●	●	●	●		●	
31	740837	Air conducting sheet left compl. 10-11	●	●	●	●	●		●	
32	746029	Air conducting sheet 2011 d2k	●	●	●	●	●			●
34	e401033	Cam disk, door bearing 20-11 / 20-11	●	●	●	●	●	●	●	●
35	744824	Foot d2k 6/10-11	●	●	●	●	●	●	●	
36	e306005	Screwing PG 16, plastic	●	●	●	●	●	●	●	●
37	e306007	Screwing PG 36, grey with counte	●	●	●	●	●	●	●	●
38	742368	Door sealing silicon frame 6-11	●	●	●	●	●	●		
39	742376	Door sealing, silicon frame 10-11	●	●	●	●	●		●	
40	742384	Door sealing, silicon frame 20-11	●	●	●	●	●			●

Pos.	Article no.	Description	Genius Gaz	Multimax A	Multimax B	Genius	Autoclean	6-11	10-11	20-11
41	e475112	Motor compartment 12-21	●	●	●	●	●			●
42	741093	Side panel left 20-11 d2k	●	●	●	●	●			●
43	745049	Back wall 20-11 d2k	●	●	●	●	●			●
44	e412131	Eccentric bearing EB	●	●	●	●	●	●	●	
45	e500278	Hexagon cap screw M8x30 ISO 4017	●	●	●	●	●			●
46	e512066	Cylindrical pin DIN 7 4x6x12 Niro	●	●	●	●	●			●
47	e512039	Retaining plate - door bearing ED	●	●	●	●	●			●
49	e418054	Drain sieve ED 6/10-11	●	●	●	●	●	●	●	
50	e418053	Drain sieve ED 20-11/ 20-21/12-2	●	●	●	●	●			●
51	751782	Filter air shaft d2k	●	●	●	●	●	●	●	●
52	760455	Cover 61011 gas d2k hinged righ	●				●	●	●	
53	760447	Cover 61011 gas hinged left d2k	●				●	●	●	
54	771724	Housing lid 20-11 gas d2k	●				●			●
55	742198	Drip tray 61011 compl. d2k	●	●	●	●	●	●	●	●
56	751995	Drip tray assembled 61011 d2k	●	●	●	●	●	●	●	●
57	e505077	Disk nut M4 A 2	●	●	●	●	●	●	●	●
58	e508005	Washer DIN 125 A 3,2 V2A	●	●	●	●	●	●	●	●
59	e500191	Oval-head screw DIN 7985, I	●	●	●	●	●	●	●	●
60	744670	Plug drip tray 6/10-11 d2k	●	●	●	●	●	●	●	●
61	757926	Silicone gasket drip tray d2k	●	●	●	●	●	●	●	●
62	e416076	Pressure spring drip tray 6/10-11 d2k	●	●	●	●	●	●	●	●
63	e500044	Hexagon cap screw ISO4017 M6 x 12 V2	●	●	●	●	●	●	●	●
64	e508033	Washer DIN 9021 A 6,4 V2A	●	●	●	●	●	●	●	●
65	761087	Front cover compl. banquet sy	●	●	●	●	●	●	●	●
66	745693	Front cover compl. 61011 d2k	●	●	●	●	●	●	●	●
67	e600453	AG potential equalisation d2k	●	●	●	●	●	●	●	●
68	772453	Cam disk, bottom d2k 12/20-2	●	●	●	●	●			●
69	758868	Locking washer	●	●	●	●	●	●	●	●
70	e500196	mushroom head square neck bolt	●	●	●	●	●	●	●	●
71	e510013	Toothed disk DIN 6797 J 4,3 V2A	●	●	●	●	●	●	●	●
72	e508031	Washer DIN 9021 A 4,3 V2A	●	●	●	●	●	●	●	●
73	e500153	Oval flat-head screw M4 x 20 V2	●	●	●	●	●	●	●	●
74	e510012	Fan disk DIN 6798 V 4,3 V2A	●	●	●	●	●	●	●	●
75	e500178	Oval flat-head screw M4 x 12 V2	●	●	●	●	●	●	●	●
76	771538	Flow safeguard 1221 2011 2021 gas d	●							●
77	766682	Flow safeguard gas d2k	●					●	●	
78	757209	Cylindrical pin DIN 7 4m6x8 V2A	●	●	●	●	●	●	●	●

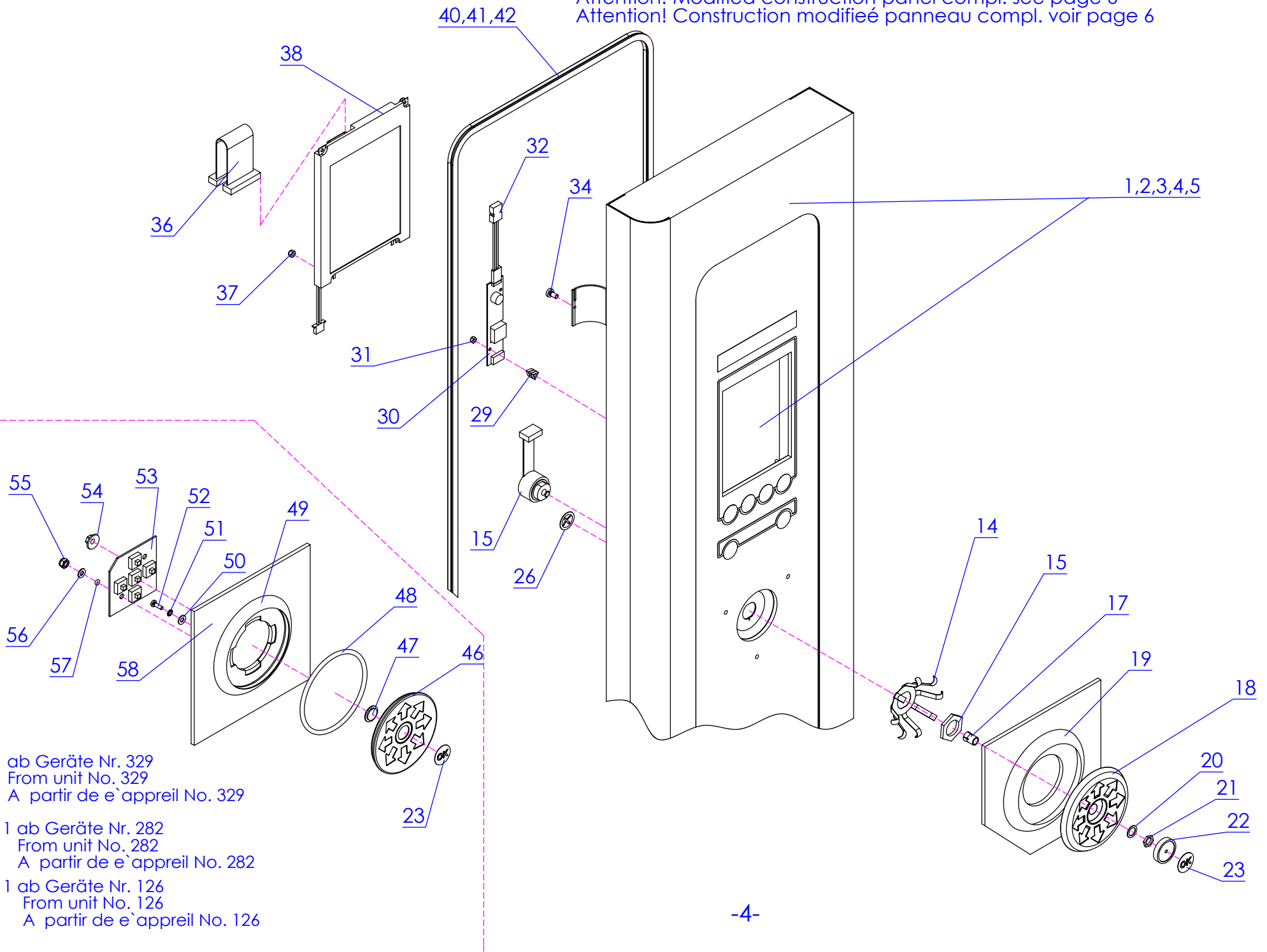
Achtung! Aufbauänderung Blende kpl. siehe Seite 5
Attention! Modified construction panel compl. see page 5
Attention! Construction modifiée panneau compl. voir page 5



Achtung! Aufbauänderung Blende kpl. siehe Seite 6
Attention! Modified construction panel compl. see page 6
Attention! Construction modifié panneau compl. voir page 6



Achtung! Aufbauänderung Blende kpl. siehe Seite 6
 Attention! Modified construction panel compl. see page 6
 Attention! Construction modifiée panneau compl. voir page 6

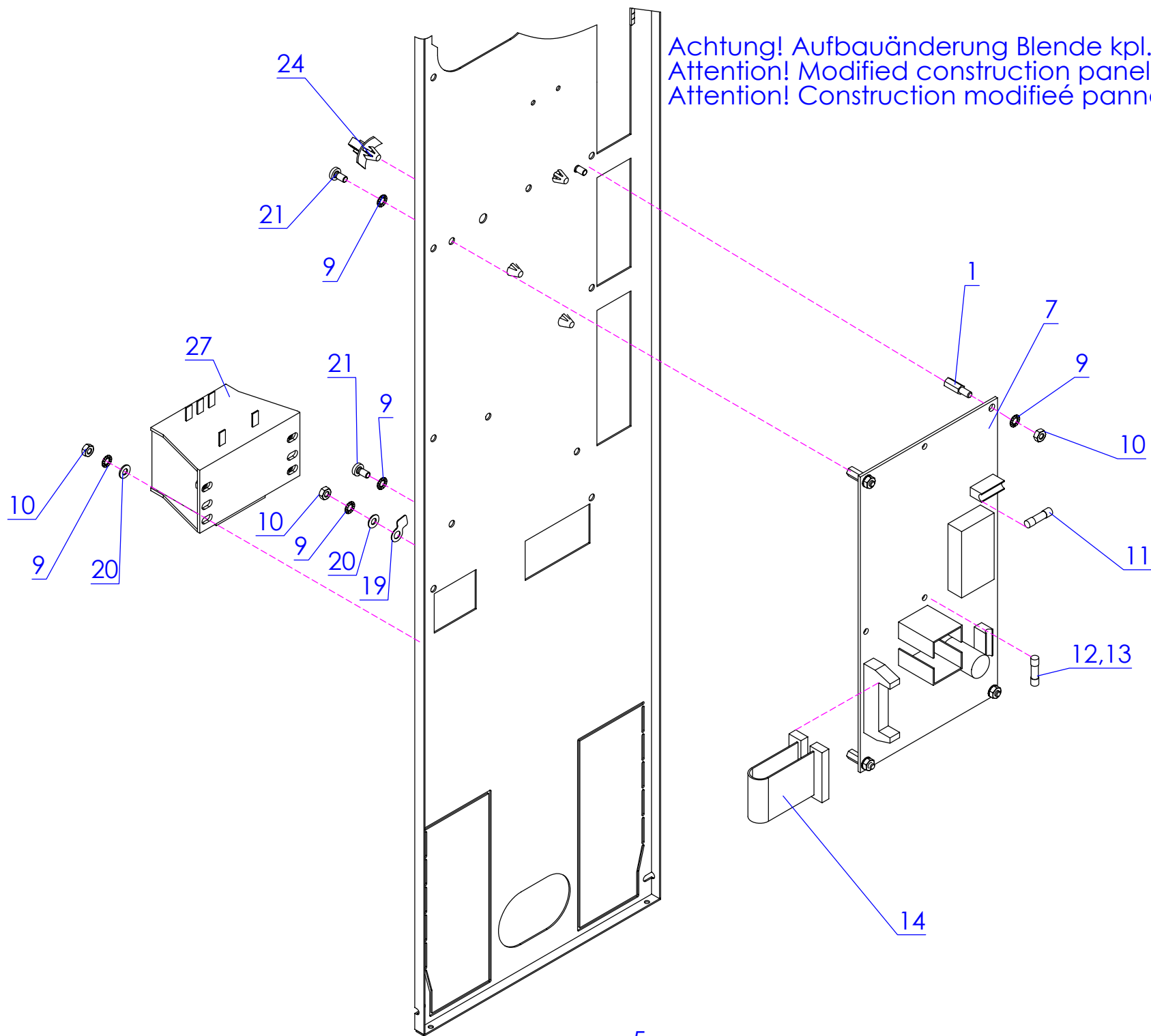


611 ab Geräte Nr. 329
 From unit No. 329
 A partir de e`appareil No. 329

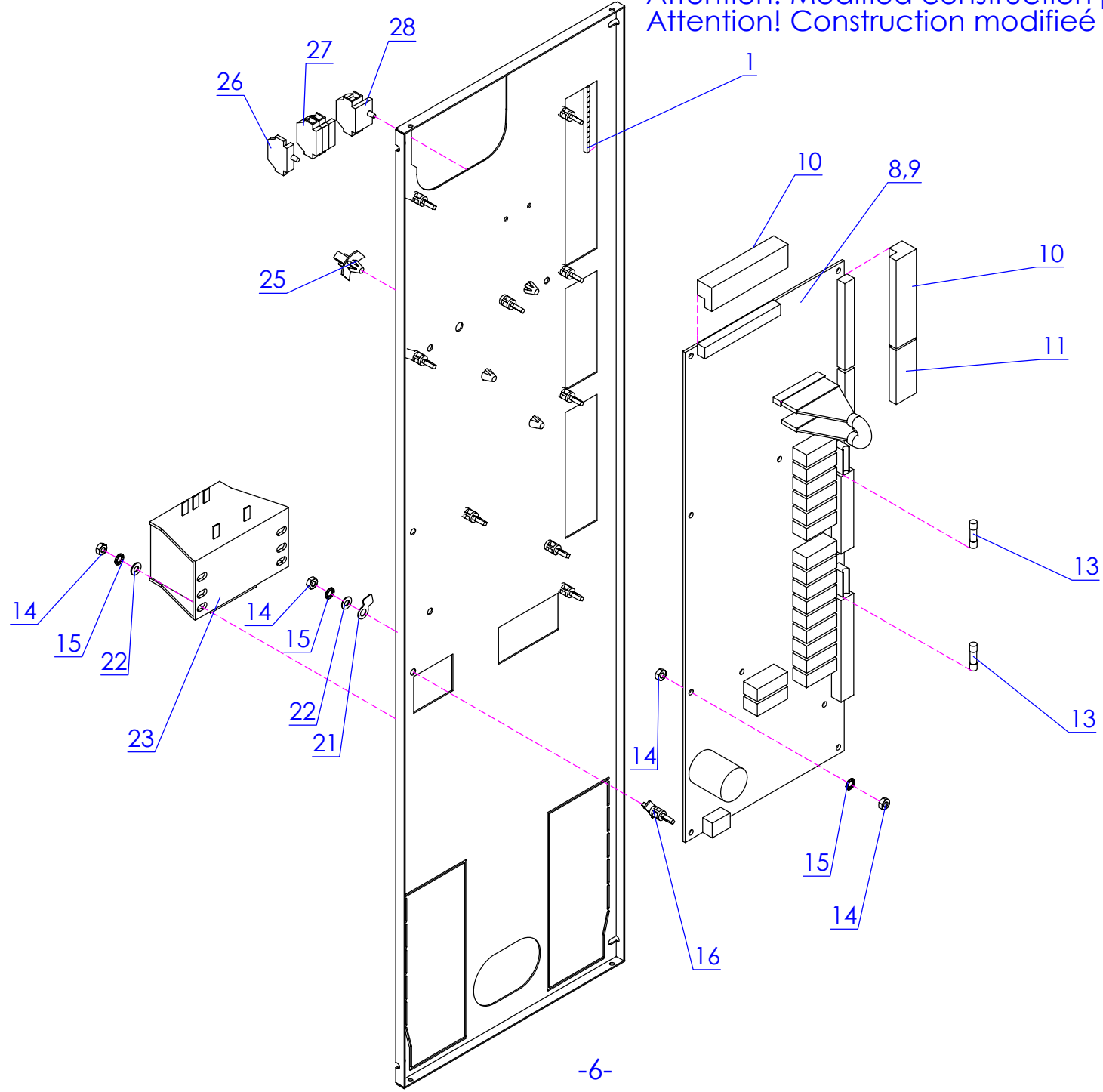
1011 ab Geräte Nr. 282
 From unit No. 282
 A partir de e`appareil No. 282

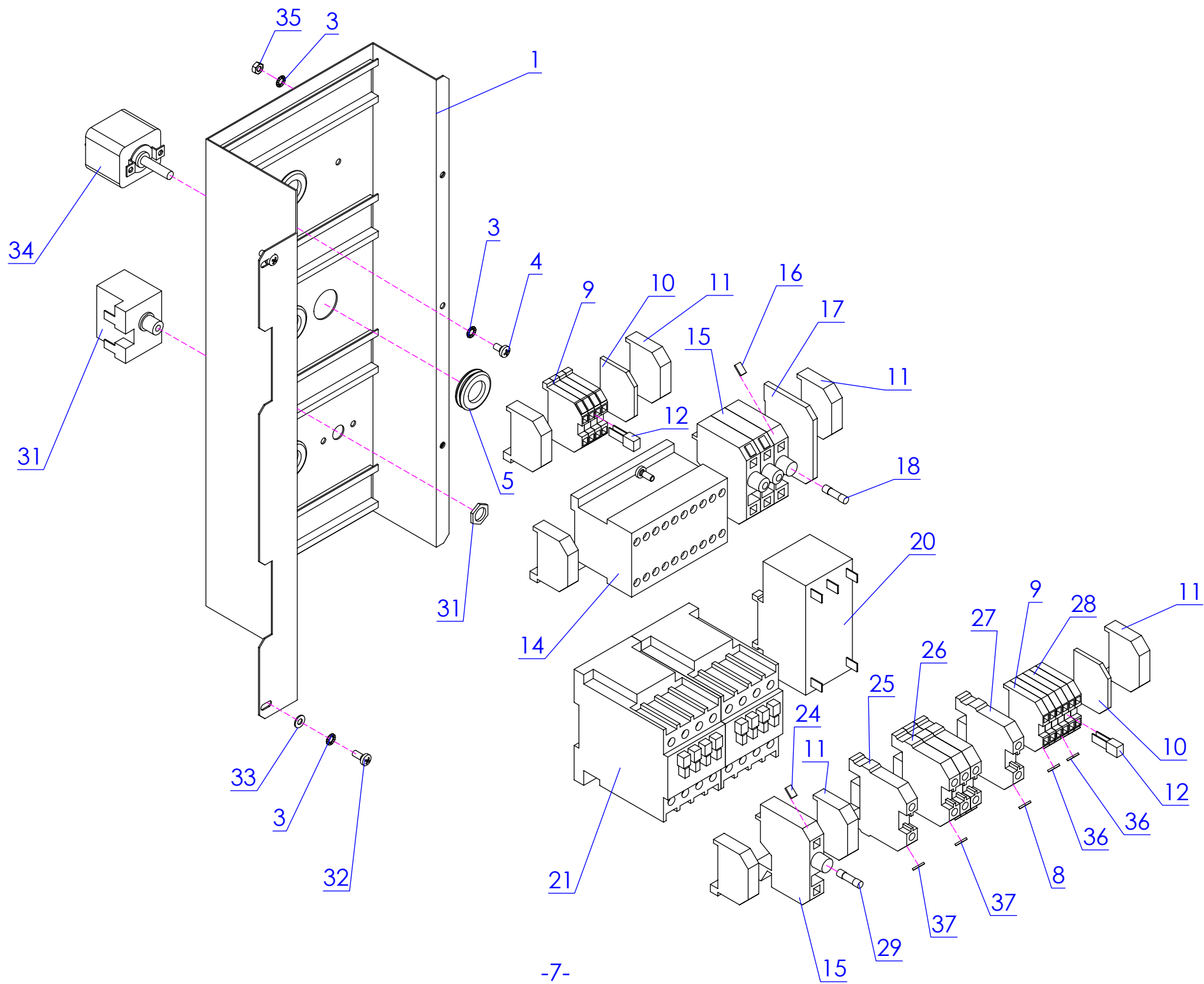
2011 ab Geräte Nr. 126
 From unit No. 126
 A partir de e`appareil No. 126

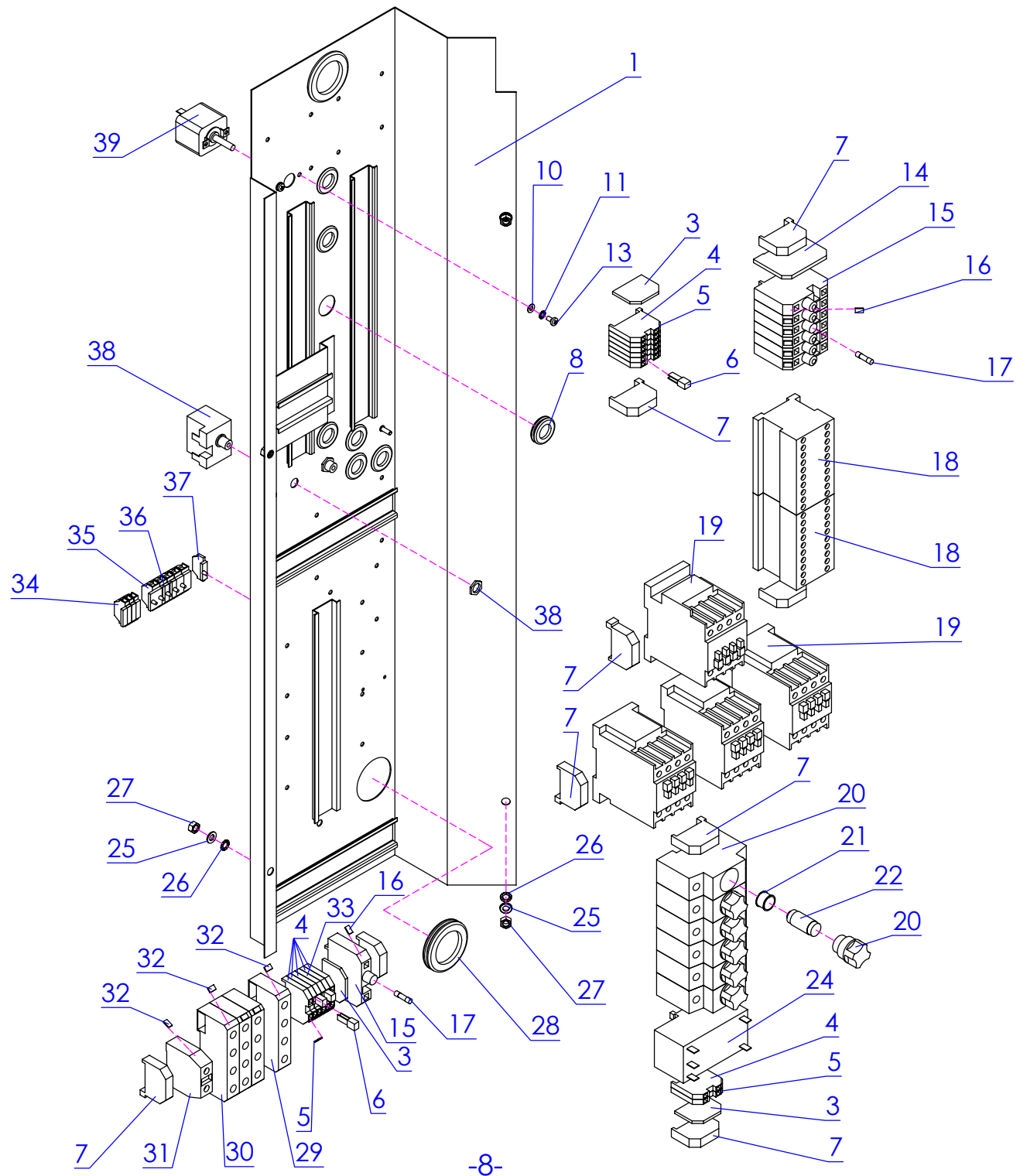
Achtung! Aufbauänderung Blende kpl. siehe Seite 2
Attention! Modified construction panel compl. see page 2
Attention! Construction modifié panneau compl. voir page 2

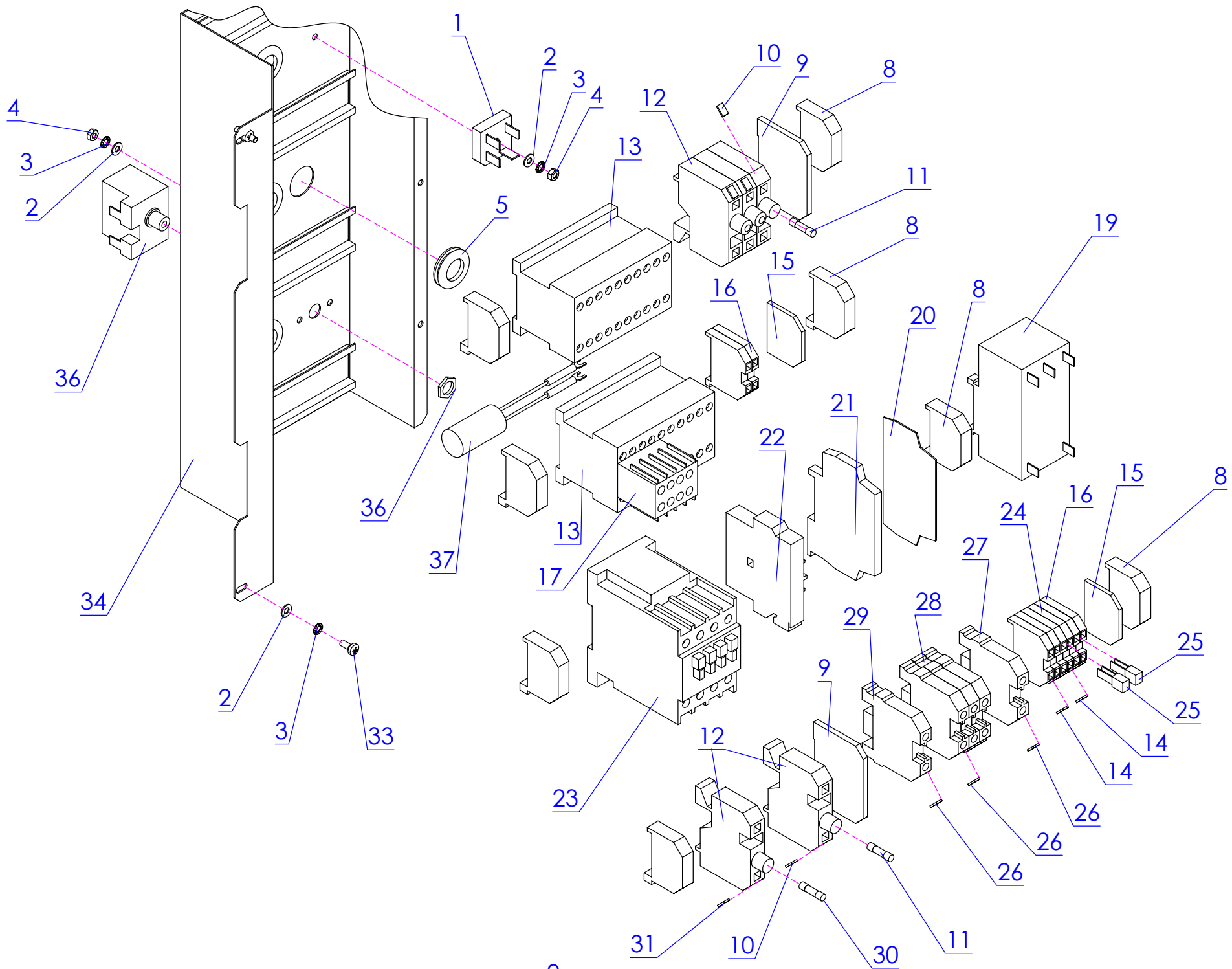


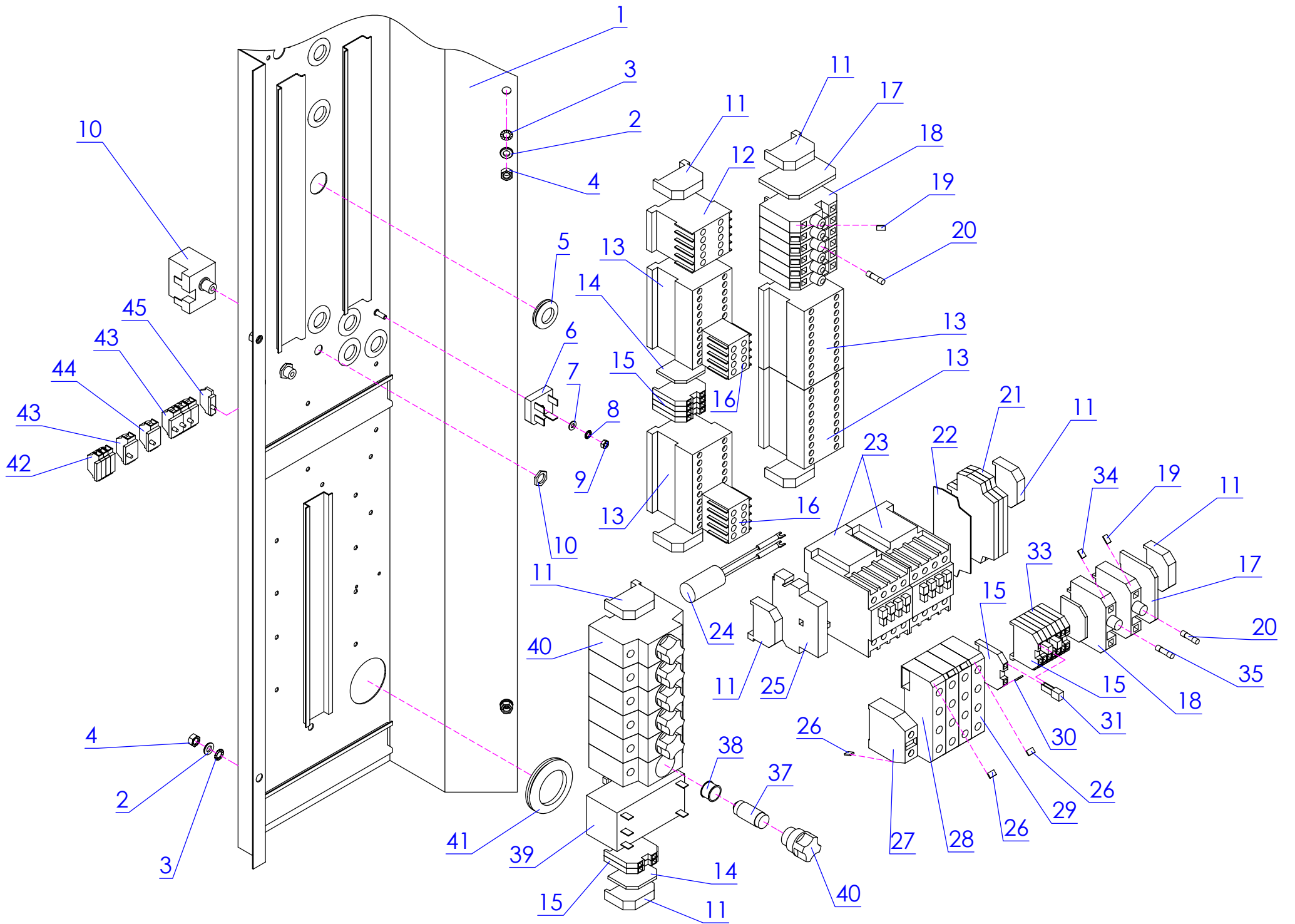
Achtung! Aufbauänderung Blende kpl. siehe Seite 3,4
Attention! Modified construction panel compl. see page 3,4
Attention! Construction modifié panneau compl. voir page 3,4

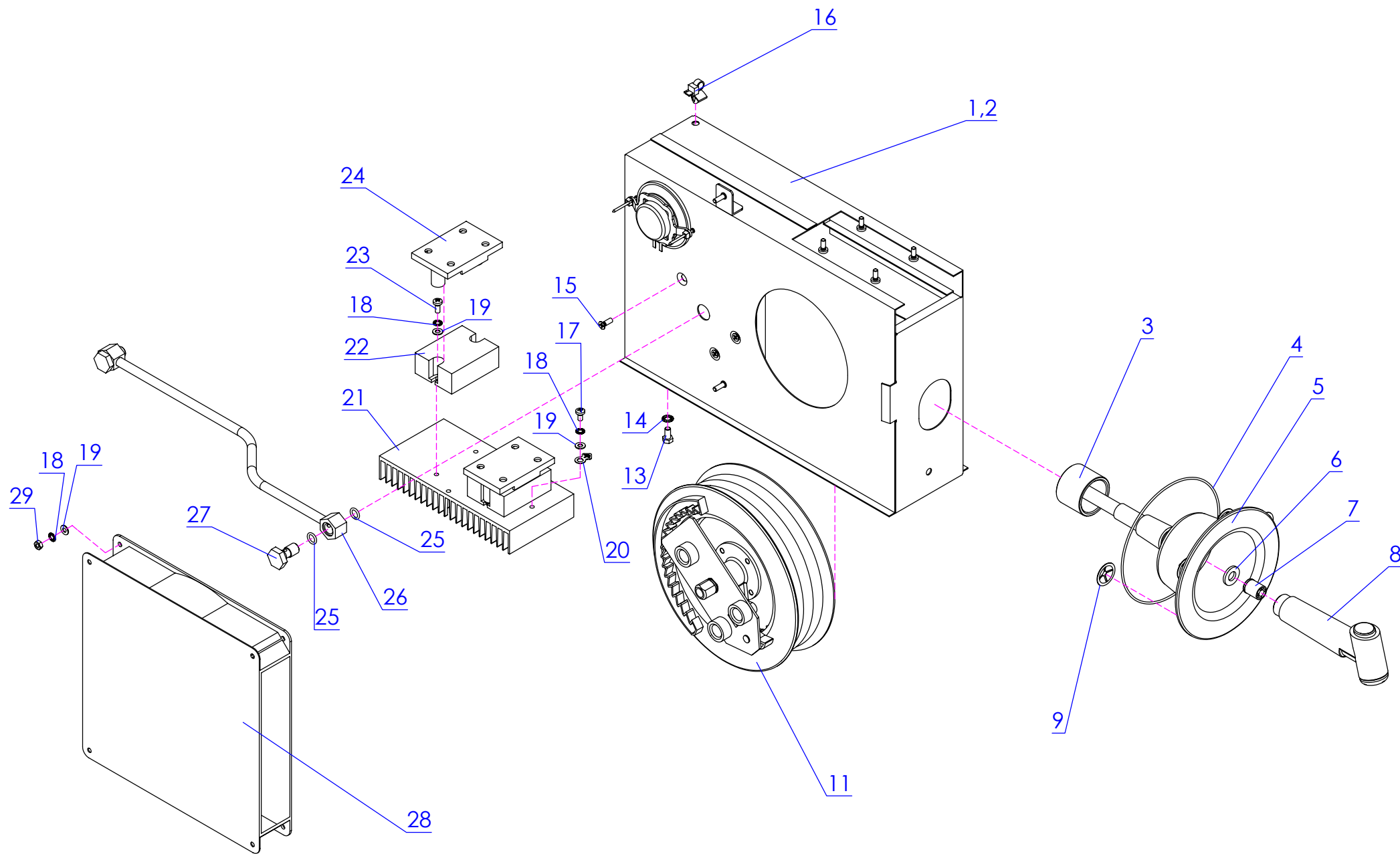


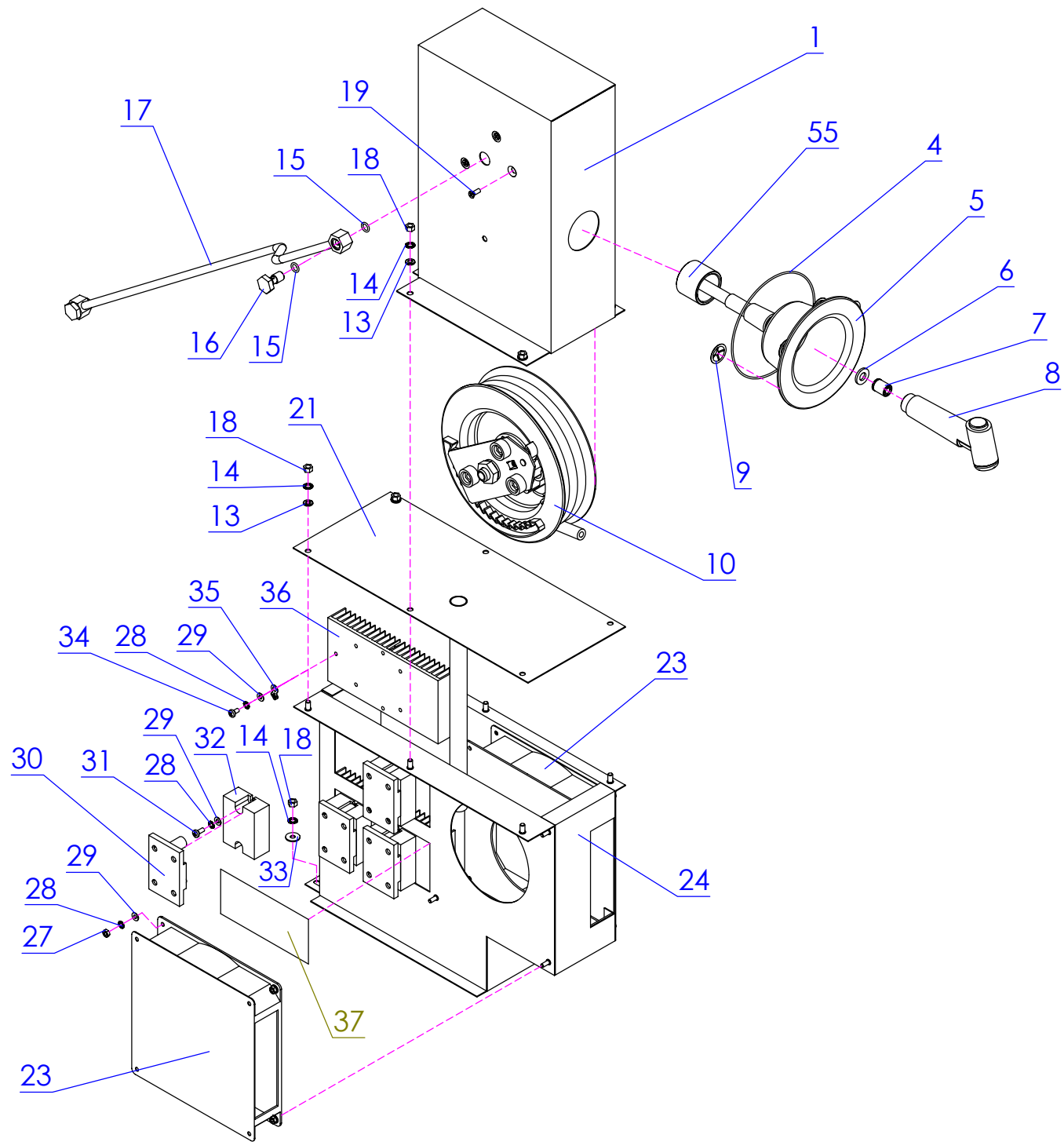


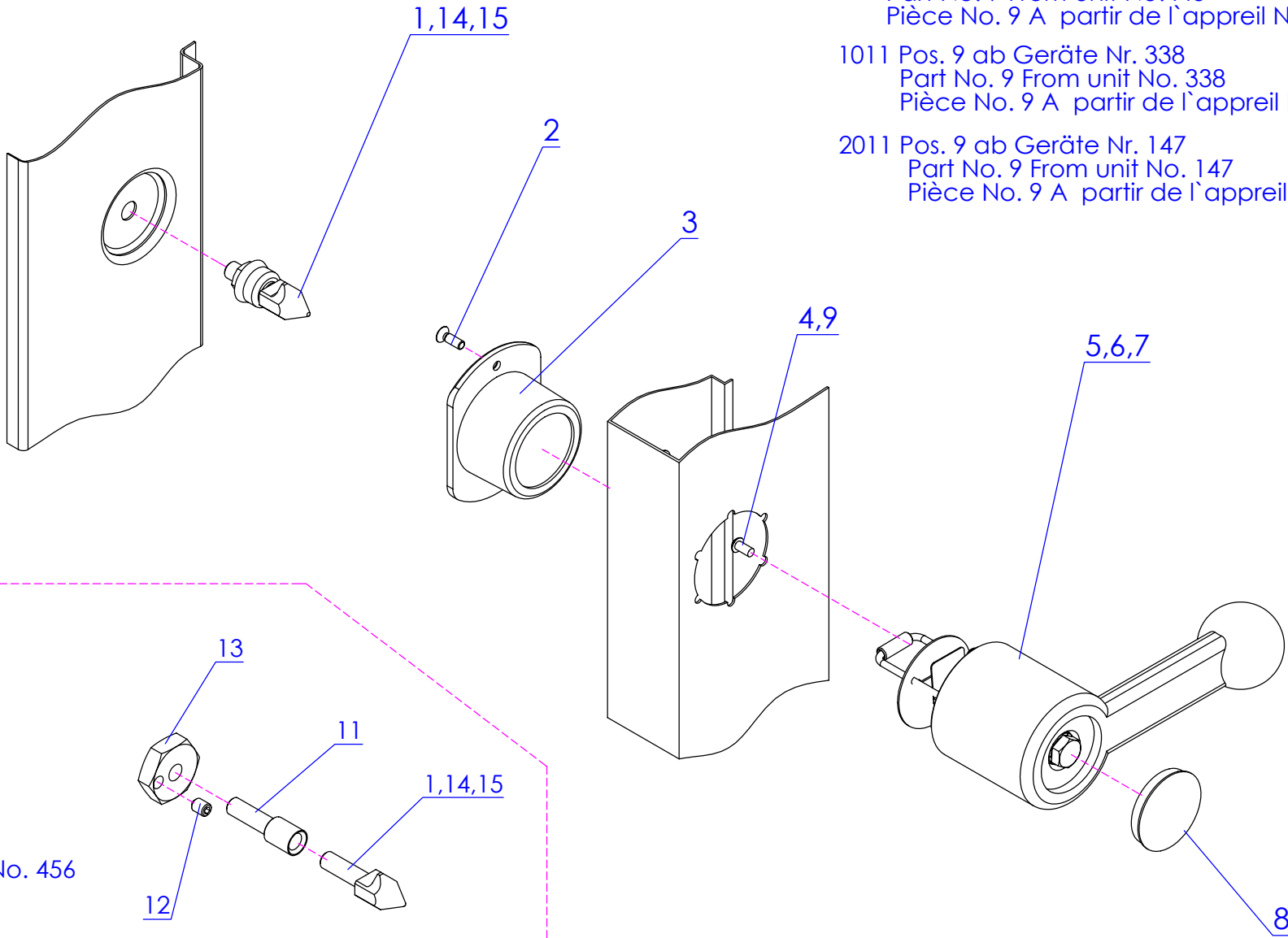












611 Pos. 9 ab Geräte Nr. 443
 Part No. 9 From unit No.443
 Pièce No. 9 A partir de l'appareil No. 443

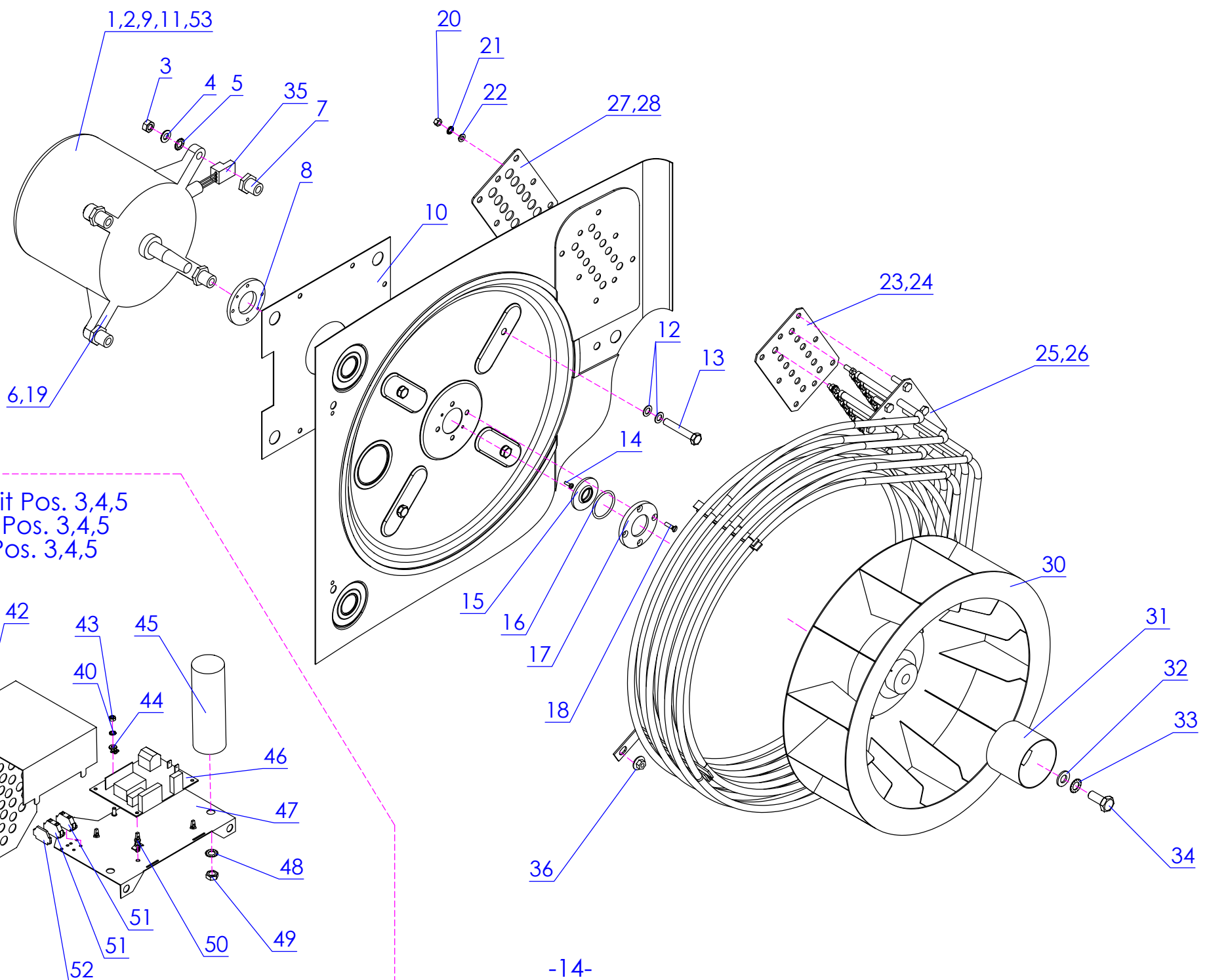
1011 Pos. 9 ab Geräte Nr. 338
 Part No. 9 From unit No. 338
 Pièce No. 9 A partir de l'appareil No. 338

2011 Pos. 9 ab Geräte Nr. 147
 Part No. 9 From unit No. 147
 Pièce No. 9 A partir de l'appareil No. 147

611 ab Geräte Nr. 456
 From unit No. 456
 A partir de l'appareil No. 456

1011 ab Geräte Nr. 366
 From unit No. 366
 A partir de l'appareil No. 366

2011 ab Geräte Nr. 152
 From unit No.152
 A partir de l'appareil No. 152



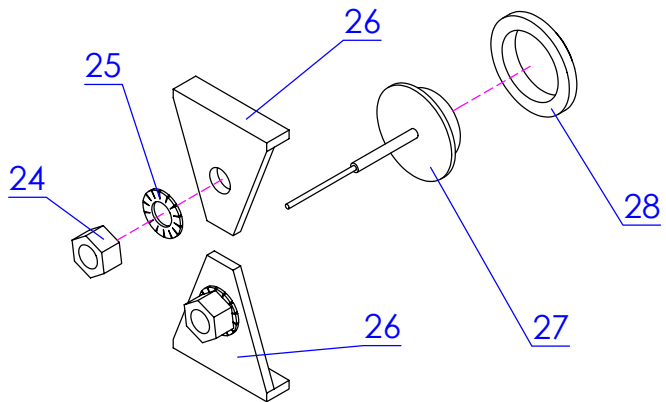
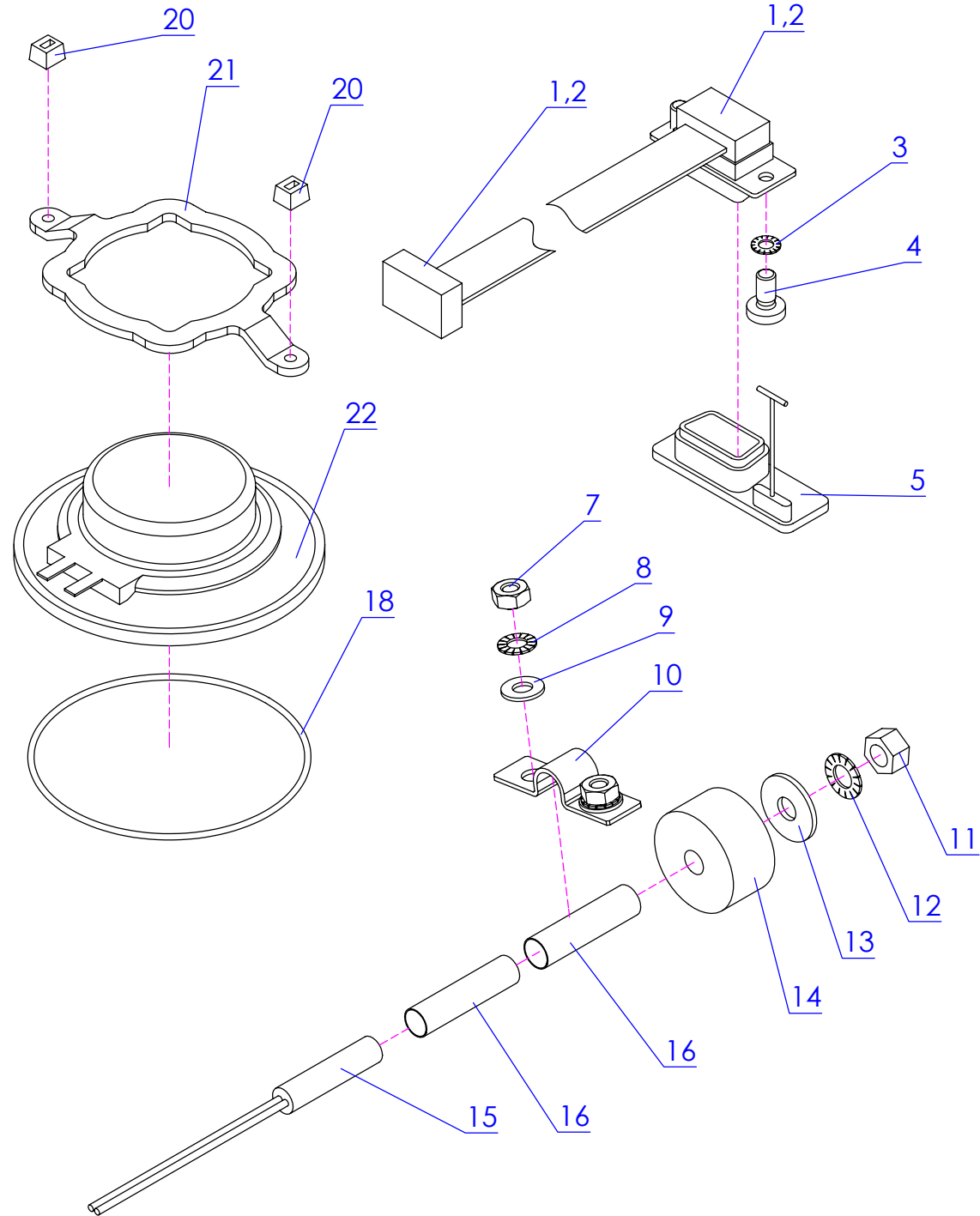
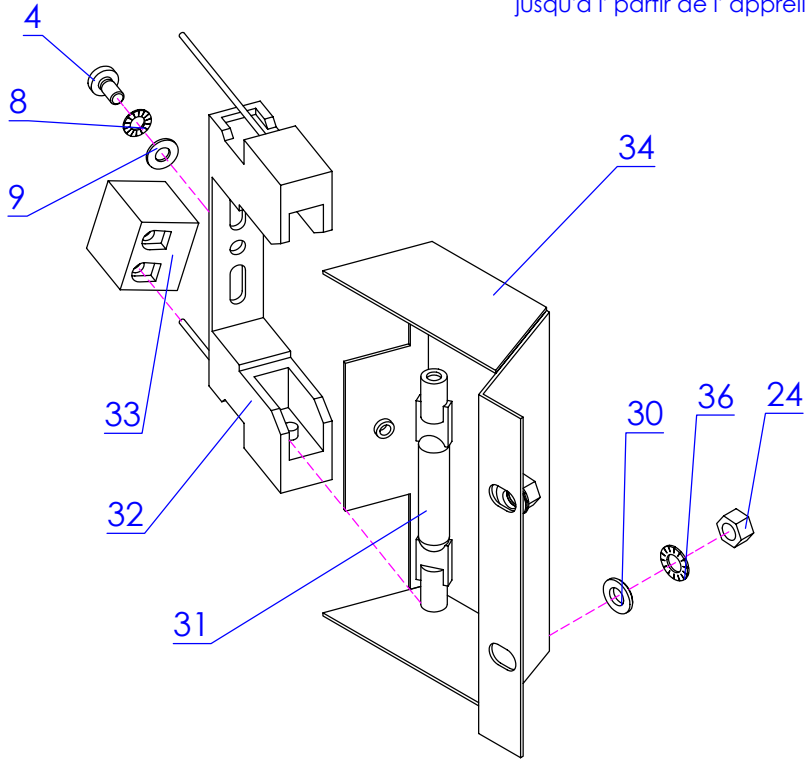
befestigt mit Pos. 3,4,5
 fasten with Pos. 3,4,5
 fixer avec Pos. 3,4,5

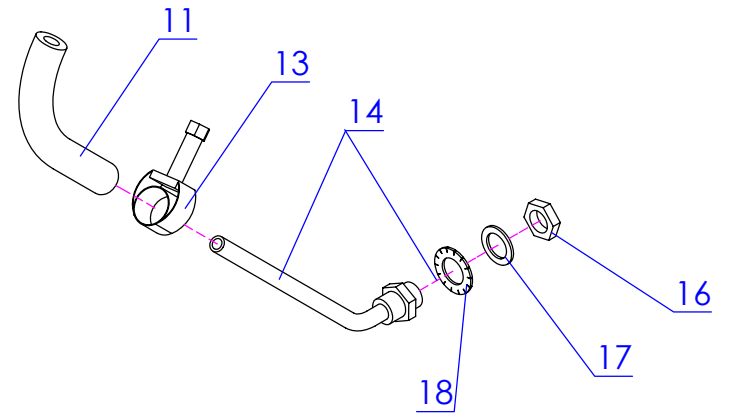
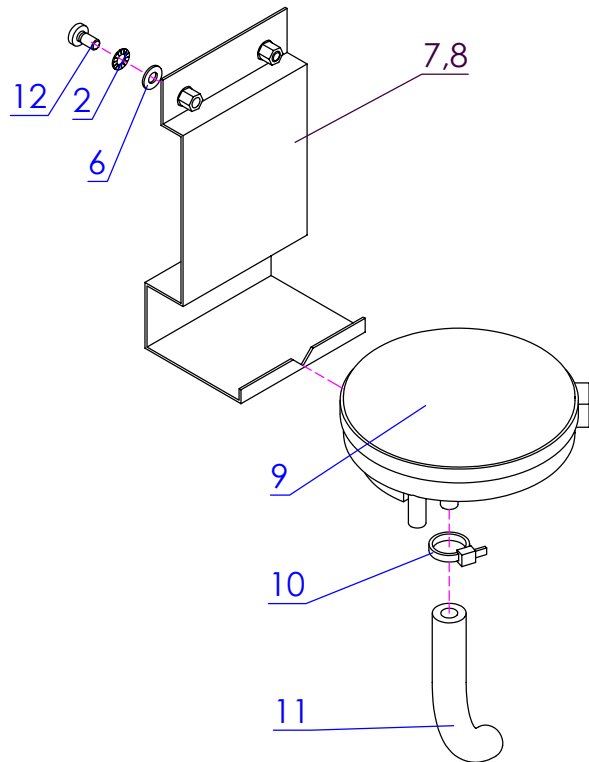
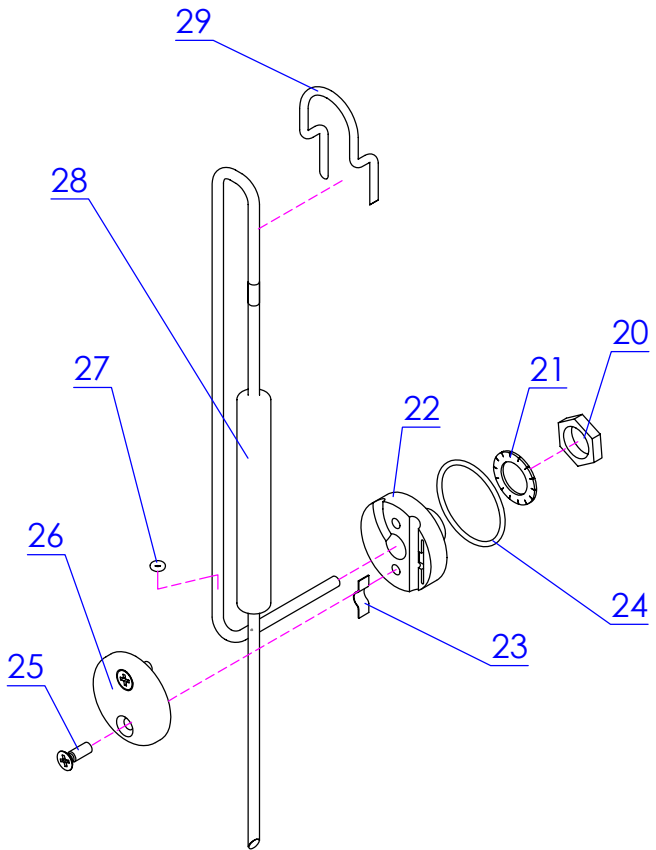
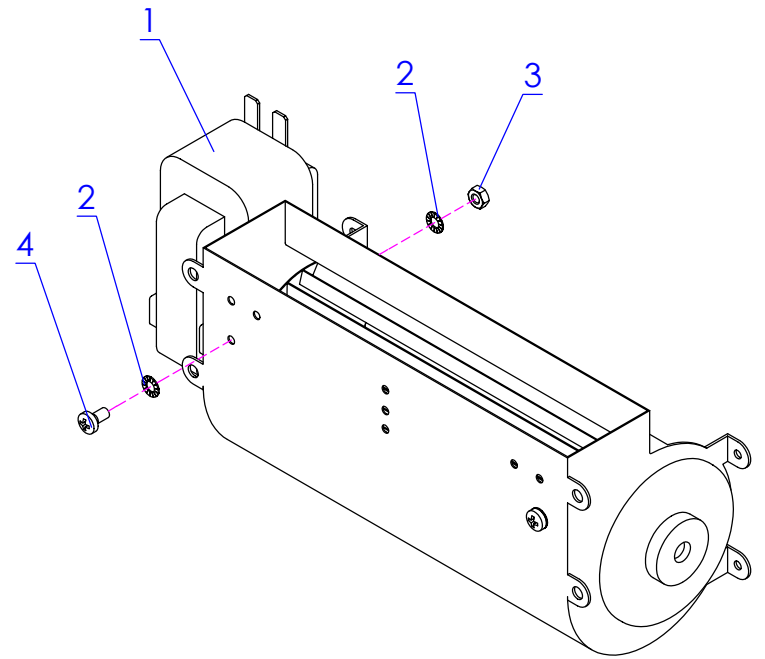
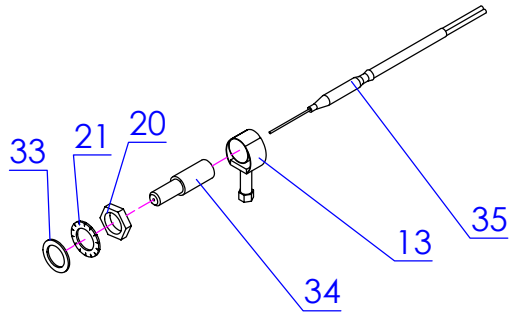
Achtung! Aufbauänderung siehe Seite 26
Attention! Modified construction see page 26
Attention! Construction modifiée voir page 26

611 bis Geräte Nr. 227
Up to unit No. 227
jusqu'à l' partir de l'appreil No. 227

1011 bis Geräte Nr. 188
Up to unit No. 188
jusqu'à l' partir de l'appreil No. 188

2011 bis Geräte Nr. 109
Up to unit No. 109
jusqu'à l' partir de l' appareil No. 109



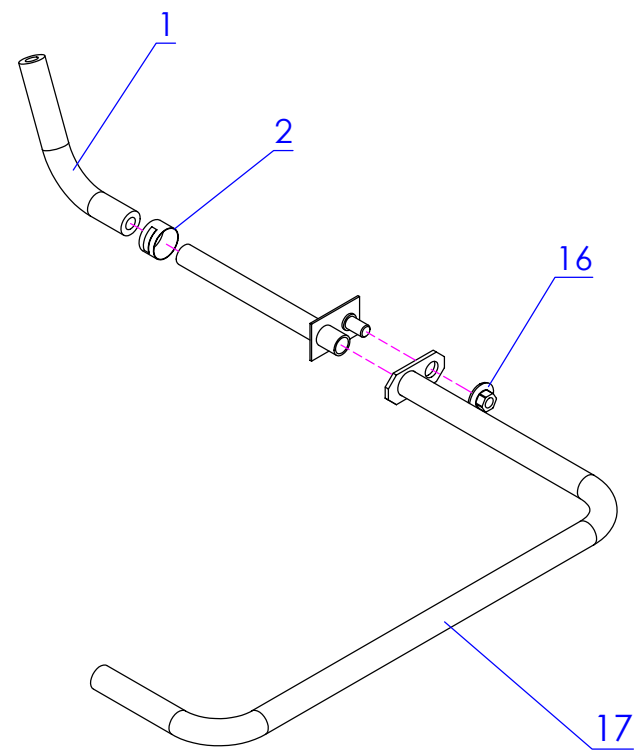
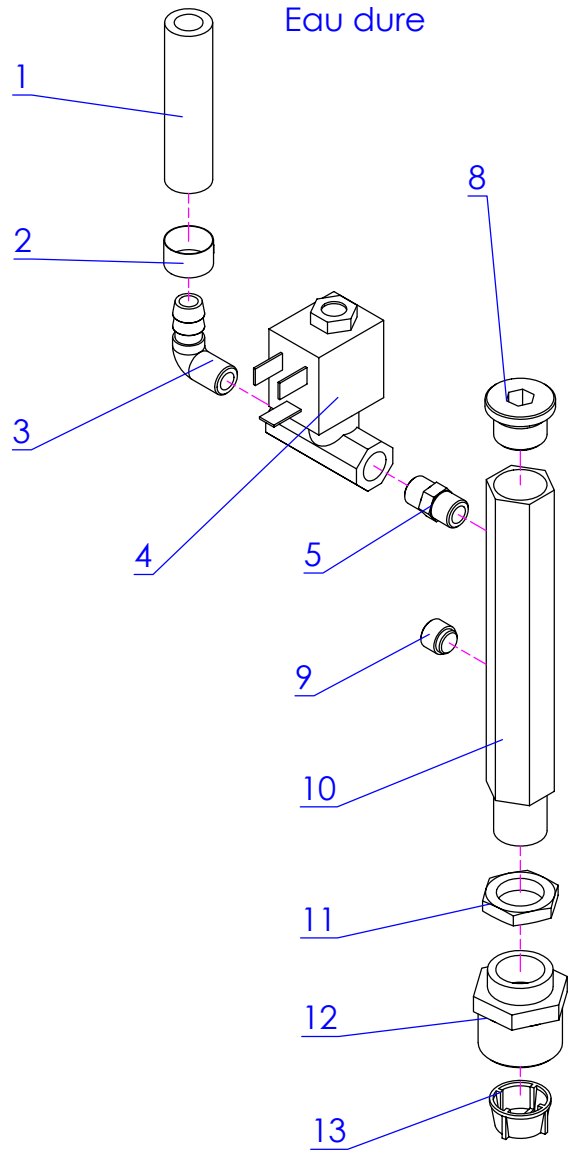


MA /MB/Genius /Genius Gaz/ 6-11 10-11 20-11

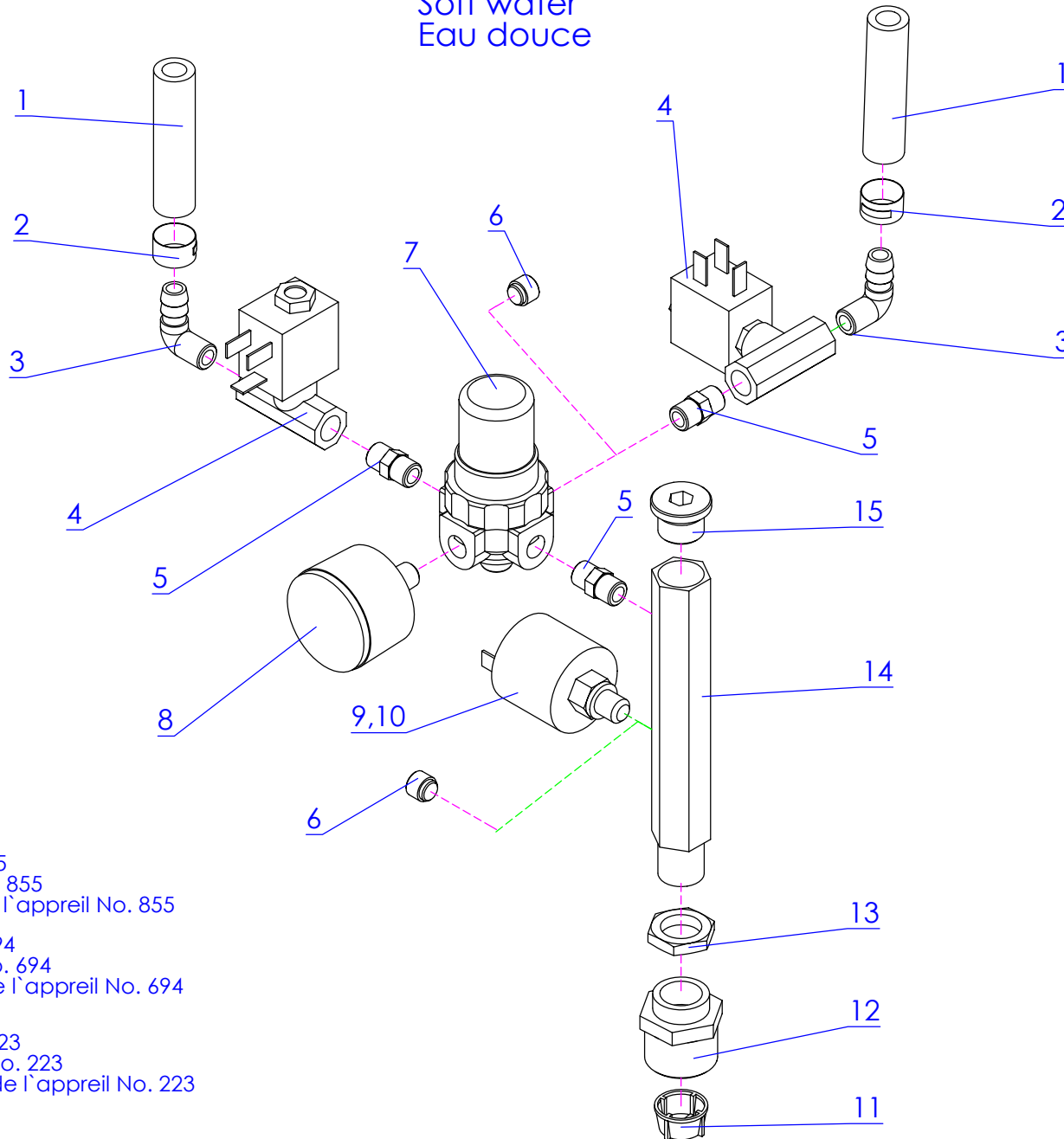
Pos.	Article no.	Description	Genius Gaz	Multimax A	Multimax B	Genius	Autoclean	6-11	10-11	20-11
1	e390023	Cross flow fan 180 mm	●	●	●	●	●			●
2	e510013	Toothed disk DIN 6797 J 4,3 V2A	●	●	●	●	●	●	●	●
3	e505031	Hexagonal nut ISO 4032 M4 V2A DI	●	●	●	●	●	●	●	●
4	e500091	Oval-head screw DIN 7985 N	●	●	●	●	●	●	●	●
6	e508012	Washer DIN 125 A 4,3 V2A	●	●	●	●	●	●	●	●
7	745626	Holder differential pressure pr	●	●	●	●	●	●		
8	757918	Holder probe pressure differential	●	●	●	●	●			●
9	752479	Differential pressure probe d2k	●	●	●	●	●	●	●	●
10	e422040	Cable binder 160x2.5	●	●	●	●	●	●	●	●
11	e444055	Silicone hose 6X3 transparent	●	●	●	●	●	●	●	●
12	e500091	Oval-head screw DIN 7985 N	●	●	●	●	●	●	●	●
13	e422017	Hose clip D 14	●	●	●	●	●	●	●	●
14	748919	Threaded nozzle, differ- ential pres	●	●	●	●	●	●	●	●
16	e505102	Nut G 1/8	●	●	●	●	●	●	●	●
17	e427020	Copper gasket heater element; D	●	●	●	●	●	●	●	●
18	e510017	Toothed disk DIN 6797 J 10,5 V2A	●	●	●	●	●	●	●	●
20	e505045	Nut 1/4"	●	●	●	●	●	●	●	●
21	e510018	Toothed disk DIN 6797 J 12,5 V2A	●	●	●	●	●	●	●	●
22	743356	Holder core temperature part 2 d2k	●	●	●	●	●	●	●	●
23	743364	Spring holder core temp. d2k	●	●	●	●	●	●	●	●
24	743585	O-ring 29,87 x 178 silicon d2k	●	●	●	●	●	●	●	●
25	e500130	Countersunk screw DIN 965 M4 x 16 V2	●	●	●	●	●	●	●	●
26	743348	Holder core temperature part 1 d2k	●	●	●	●	●	●	●	●
27	e425020	O-ring, 3,68x1,78 VITON	●	●	●	●	●	●	●	●
28	752363	Core temperature probe L=3500 mn	●	●	●	●	●	●	●	●
29	745464	Protecting sieve NiCrNi probe with	●	●	●	●	●	●	●	●
33	e427059	Sealing ring nickeled CU 13 x 19 x 1	●	●	●	●	●	●	●	●
34	e410013	Teflon insert NiCrNi sensor MD	●	●	●	●	●	●	●	●
35	e316004	Thermoelement sensor Ni-Cr-Ni MI	●	●	●	●	●	●	●	●
####	753947	Harness probe 6/10-11 d2k	●	●	●	●	●	●		
####	e304354	Harness probe Genius 2011 d2k	●			●	●			●

Pos.	Article no.	Description	Genius Gaz	Multimax A	Multimax B	Genius	Autoclean	6-11	10-11	20-11

Hartwasser
Hard water
Eau dure



Weichwasser
Soft water
Eau douce



611 Pos. 9 ab Geräte Nr. 855
Part No. 9 From unit No. 855
Pièce No. 9 A partir de l'appareil No. 855

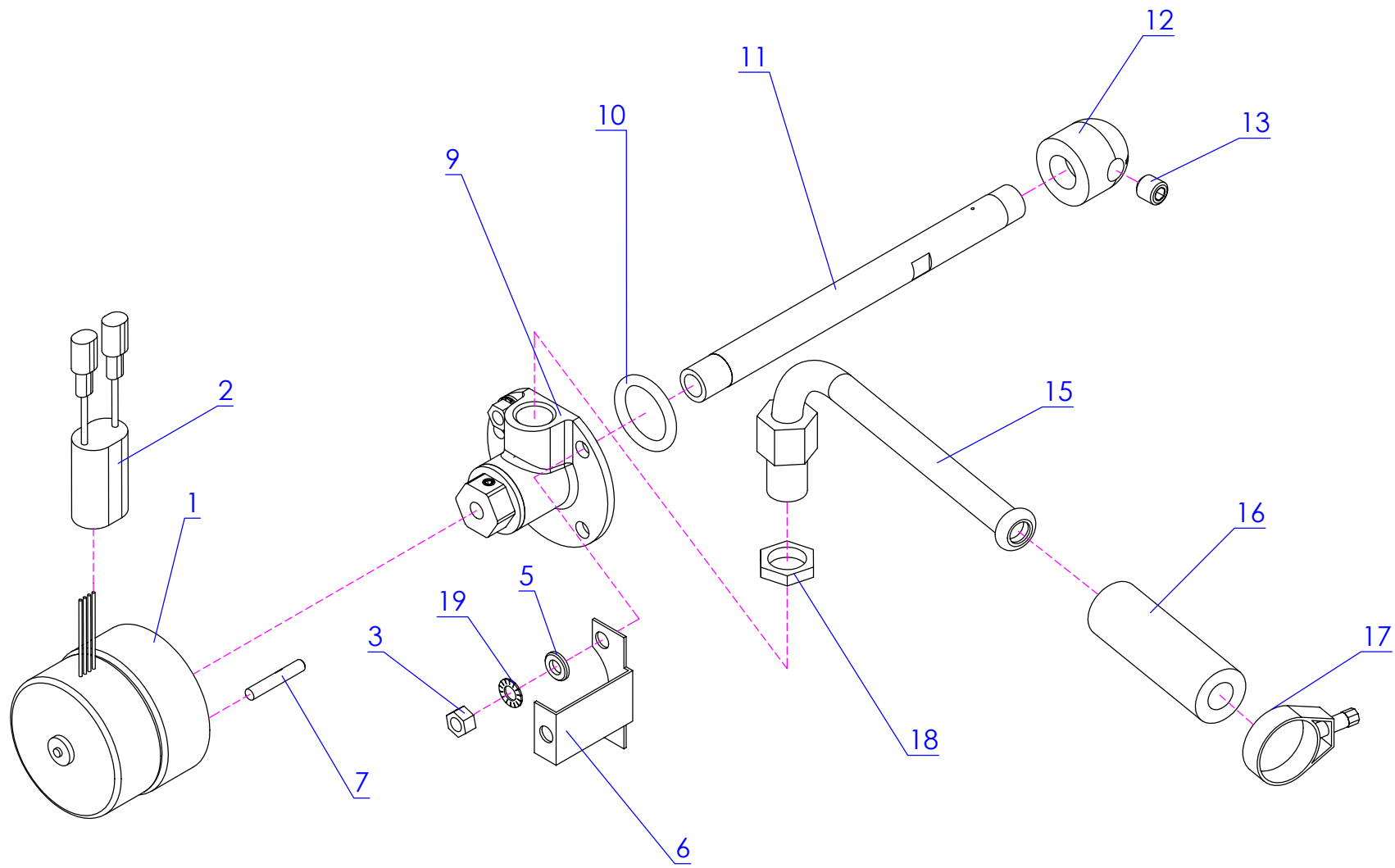
1011 Pos. 9 ab Geräte Nr. 694
Part No. 9 From unit No. 694
Pièce No. 9 A partir de l'appareil No. 694

2011 Pos. 9 ab Geräte Nr. 223
Part No. 9 From unit No. 223
Pièce No. 9 A partir de l'appareil No. 223

MA /MB/Genius /Genius Gaz/ 6-11 10-11 20-11

Pos.	Article no.	Description	Genius Gaz	Multimax A	Multimax B	Genius	Autoclean	6-11	10-11	20-11
1	e444050	Silicon hose 9,0x3,0 mm	●	●	●	●		●	●	●
2	e422017	Hose clip D 14	●	●	●	●		●	●	●
3	e440045	Angle stud 9 mm conn	●	●	●	●		●	●	●
4	e436040	Solenoid-valve type 2000 2/2-way dir	●	●	●	●		●	●	●
5	e440156	Double nipple, conical 1/8K	●	●	●	●		●	●	●
6	e440101	Locking screw 1/8"		●				●	●	
7	e598198	Conversion kit pressure reducer	●	●	●	●		●	●	●
8	e348009	Pressure gauge 0-4,0 bar	●	●	●	●		●	●	●
9	e598189	Conversion kit push button with	●		●	●				●
10	772305	Pressure switch 10 bar AC	●		●	●				●
11	e418017	Mudguard	●	●	●	●		●	●	●
12	e440039	Reduction piece A 3/4" I 3/8"	●	●	●	●		●	●	●
13	e505057	Hexagonal nut 3/8" 4,5 nickele	●	●	●	●		●	●	●
14	779660	Vertial pipe d2k	●	●	●	●		●	●	●
15	754498	Locking screw 3/8"	●	●	●	●		●	●	●

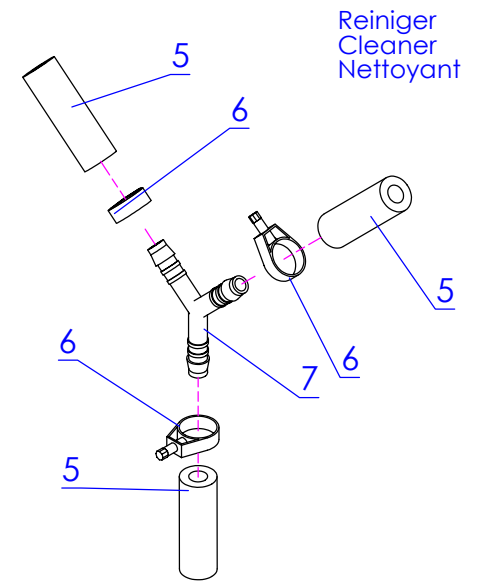
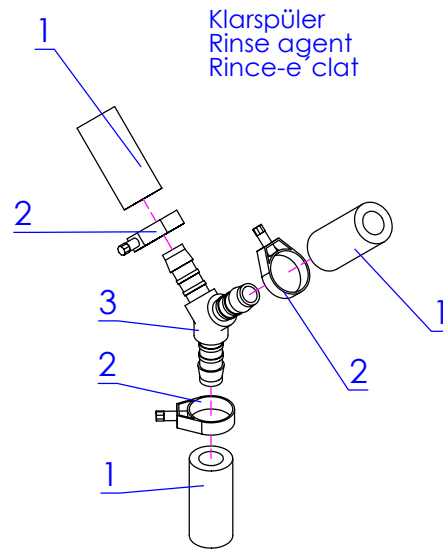
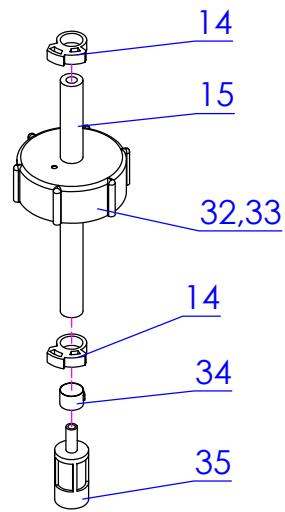
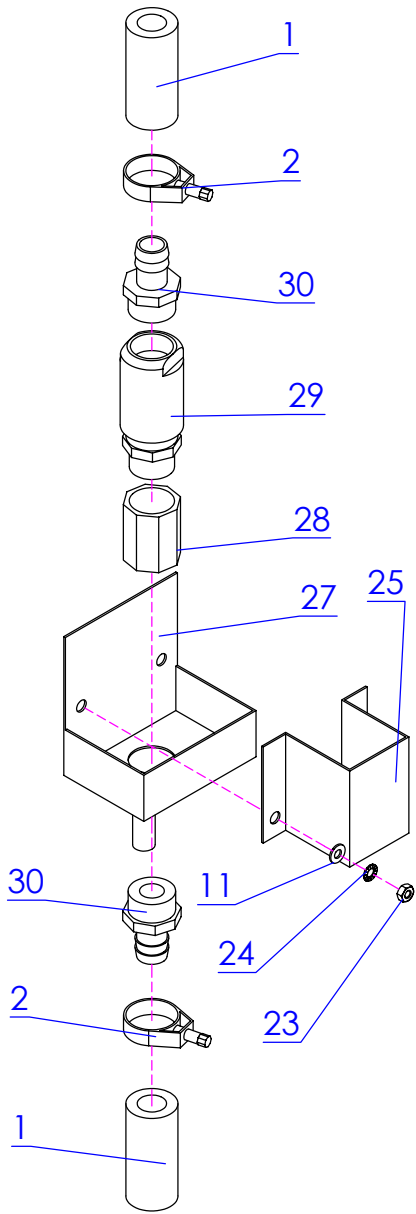
Pos.	Article no.	Description	Genius Gaz	Multimax A	Multimax B	Genius	Autoclean	6-11	10-11	20-11



MA /MB/Genius /Genius Gaz/ 6-11 10-11 20-11

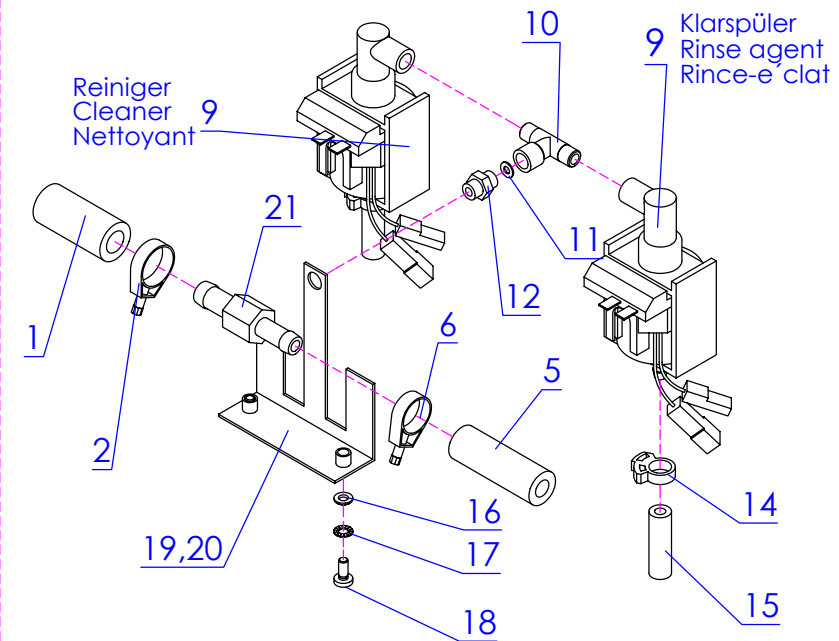
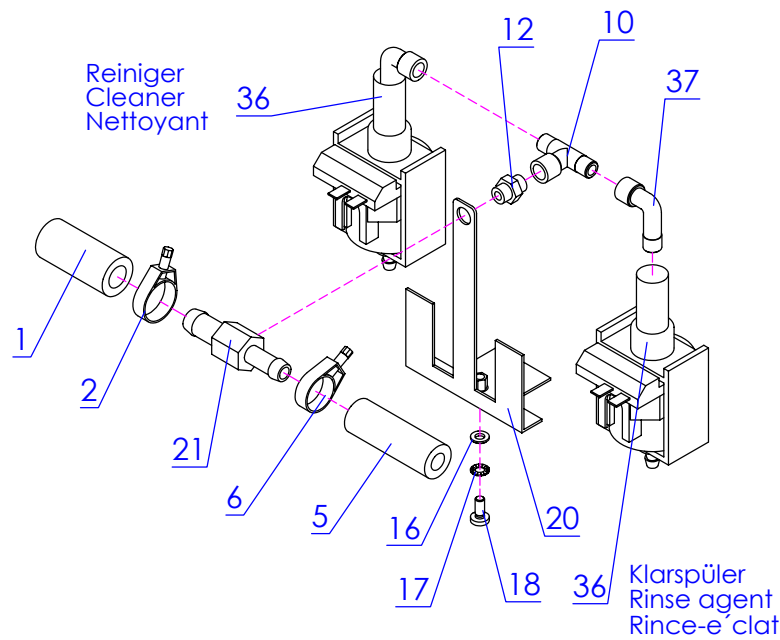
Pos.	Article no.	Description										
			Genius Gaz	Multimax A	Multimax B	Genius	Autoclean	6-11	10-11	20-11		
1	e600354	AG driving motor AUTOCLEAN	●		●	●	●	●	●	●		
2	e308065	Capacitor 0,27 microF/ 500VAC	●		●	●	●	●	●	●		
3	e505024	Hexagon nut ISO 4032 M 5 V2A D	●		●	●	●	●	●	●		
4	e510014	Toothed disk DIN 6797 J 5,3 V2A	●		●	●	●	●	●	●		
5	e508002	Washer DIN 125 A 5,3 V2A	●		●	●	●	●	●	●		
6	753858	Support geared motor Autoclean	●		●	●	●	●	●	●		
7	e500211	Threaded pin DIN 553 M4x25 V2A	●		●	●	●	●	●	●		
9	e600343	AG shaft/hub Autoclean -to be sent	●		●	●	●	●	●	●		
10	e425183	O-ring 23,4 x 3,53 Viton	●		●	●	●	●	●	●		
11	e442225	Jet tube Autoclean cooking chamber	●		●	●	●	●	●	●		
12	e438025	Main nozzle Autoclean cooking chamber	●		●	●	●	●	●	●		
13	e500268	Threaded pin DIN 913 M 8x8 V2a	●		●	●	●	●	●	●		
15	e442227	Water supply pipe Autoclean	●		●	●	●	●	●	●		
16	e444058	Steam hose 10x5 EPDM blue	●		●	●	●	●	●	●		
17	e422073	Hose clip CrNi D 25	●		●	●	●	●	●	●		
18	e505045	Nut 1/4"	●		●	●	●	●	●	●		

Pos.	Article no.	Description										
			Genius Gaz	Multimax A	Multimax B	Genius	Autoclean	6-11	10-11	20-11		



611 ab Geräte Nr. 789
From unit No. 789
A partir de l'appareil No. 789
1011 ab Geräte Nr. 641
From unit No. 641
A partir de l'appareil No. 641
2011 ab Geräte Nr. 218
From unit No. 218
A partir de l'appareil No. 218

611 bis Geräte Nr. 788
Upto unit No. 788
jusqu'à partir de e`appareil No. 788
1011 bis Geräte Nr. 640
Part Upto unit No. 640
jusqu'à partir de e`appareil No. 640
2011 bis Geräte Nr. 217
Upto unit No. 217
jusqu'à partir de e`appareil No. 217



MA /MB/Genius /Genius Gaz/ 6-11 10-11 20-11

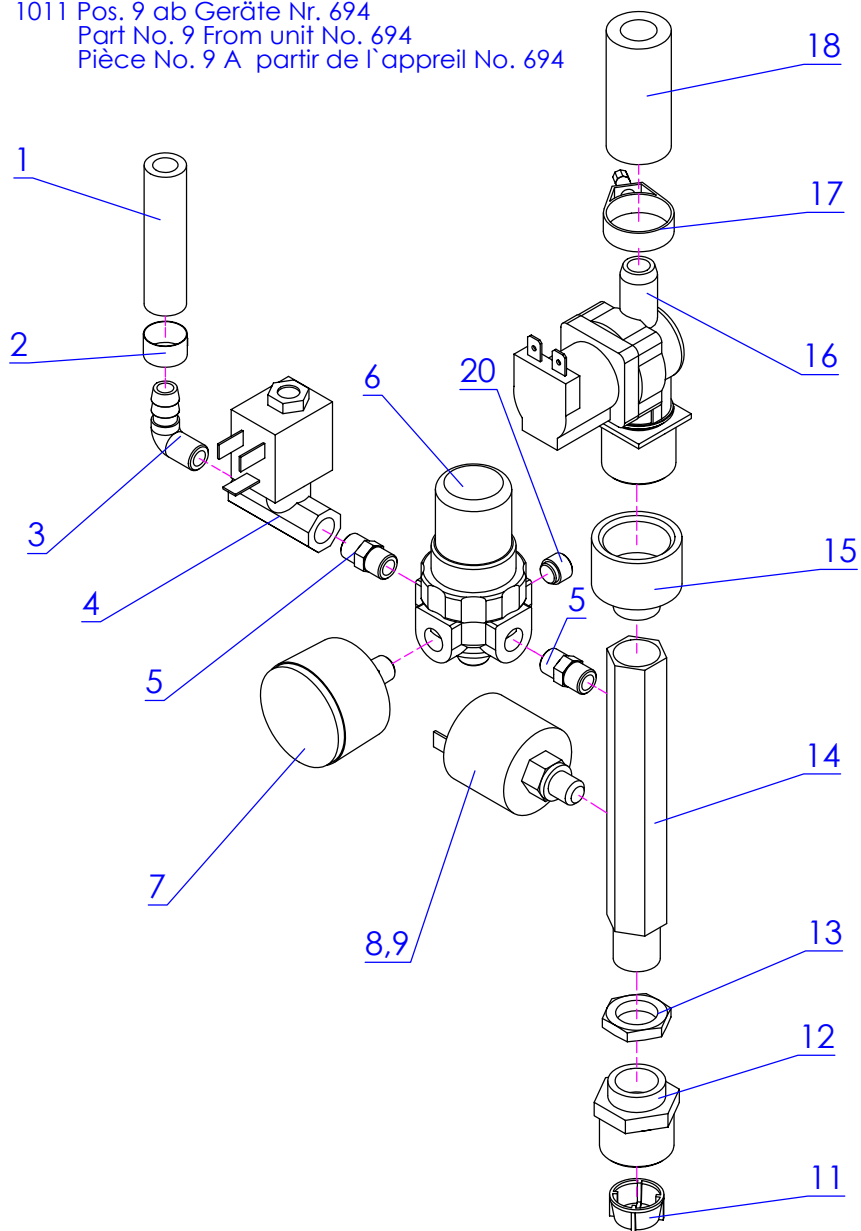
Pos.	Article no.	Description	Genius Gaz	Multimax A	Multimax B	Genius	Autoclean	6-11	10-11	20-11
1	753661	Steam tube 13x5 EPDM blue	●	●	●	●	●	●	●	●
2	e422073	Hose clip CrNi D 25	●	●	●	●	●	●	●	●
3	e440158	Y-shaped tube connecting socket 10	●	●	●	●	●	●	●	●
5	e444058	Steam hose 10x5 EPDM blue	●	●	●	●	●	●	●	●
6	e422020	Hose clip NS 22	●	●	●	●	●	●	●	●
7	e440144	Hose connecting Y-piece for hose d=	●	●	●	●	●	●	●	●
9	e434019	Piston pump Autoclean	●	●	●	●	●	●	●	●
10	e440048	T-piece	●	●	●	●	●	●	●	●
11	e508012	Washer DIN 125 A 4,3 V2A	●	●	●	●	●	●	●	●
12	e440092	double nipple G 1/8	●	●	●	●	●	●	●	●
14	766747	Snap clamp 12,3	●	●	●	●	●	●	●	●
15	e444056	Hose PVC d=6 D=12 with textile fabric	●	●	●	●	●	●	●	●
16	e508002	Washer DIN 125 A 5,3 V2A	●	●	●	●	●	●	●	●
17	e510014	Toothed disk DIN 6797 J 5,3 V2A	●	●	●	●	●	●	●	●
18	e500106	Oval-head screw DIN 7985 N	●	●	●	●	●	●	●	●
19	753904	Supporting angle Autoclean r	●	●	●	●	●	●	●	●
20	748889	Supporting angle piston pump 2011	●	●	●	●	●	●	●	●
21	753890	Y-shaped connecting piece Autoclean	●	●	●	●	●	●	●	●
23	e505031	Hexagonal nut ISO 4032 M4 V2A DI	●	●	●	●	●	●	●	●
24	e510013	Toothed disk DIN 6797 J 4,3 V2A	●	●	●	●	●	●	●	●
25	e483257	Protection against water jets Autocle	●	●	●	●	●	●	●	●
27	753424	Collecting pan Autoclean	●	●	●	●	●	●	●	●
28	e440147	Sleeve 1/2"	●	●	●	●	●	●	●	●
29	753416	Tube-aerator with reflux prevention	●	●	●	●	●	●	●	●
30	e440146	Hose tip 12 mm 1/2"	●	●	●	●	●	●	●	●
32	e407091	Canister cap DN 50 red d2k	●	●	●	●	●	●	●	●
33	e407092	Canister cap DN 50 blue d2k	●	●	●	●	●	●	●	●
34	e422071	Clamping ring NW 12	●	●	●	●	●	●	●	●
35	700827	Suction filter ED	●	●	●	●	●	●	●	●
36	772550	Piston pump Autoclean straight typ	●	●	●	●	●	●	●	●
37	773719	Angle G 1/8	●	●	●	●	●	●	●	●

Pos.	Article no.	Description	Genius Gaz	Multimax A	Multimax B	Genius	Autoclean	6-11	10-11	20-11

6-11,10-11

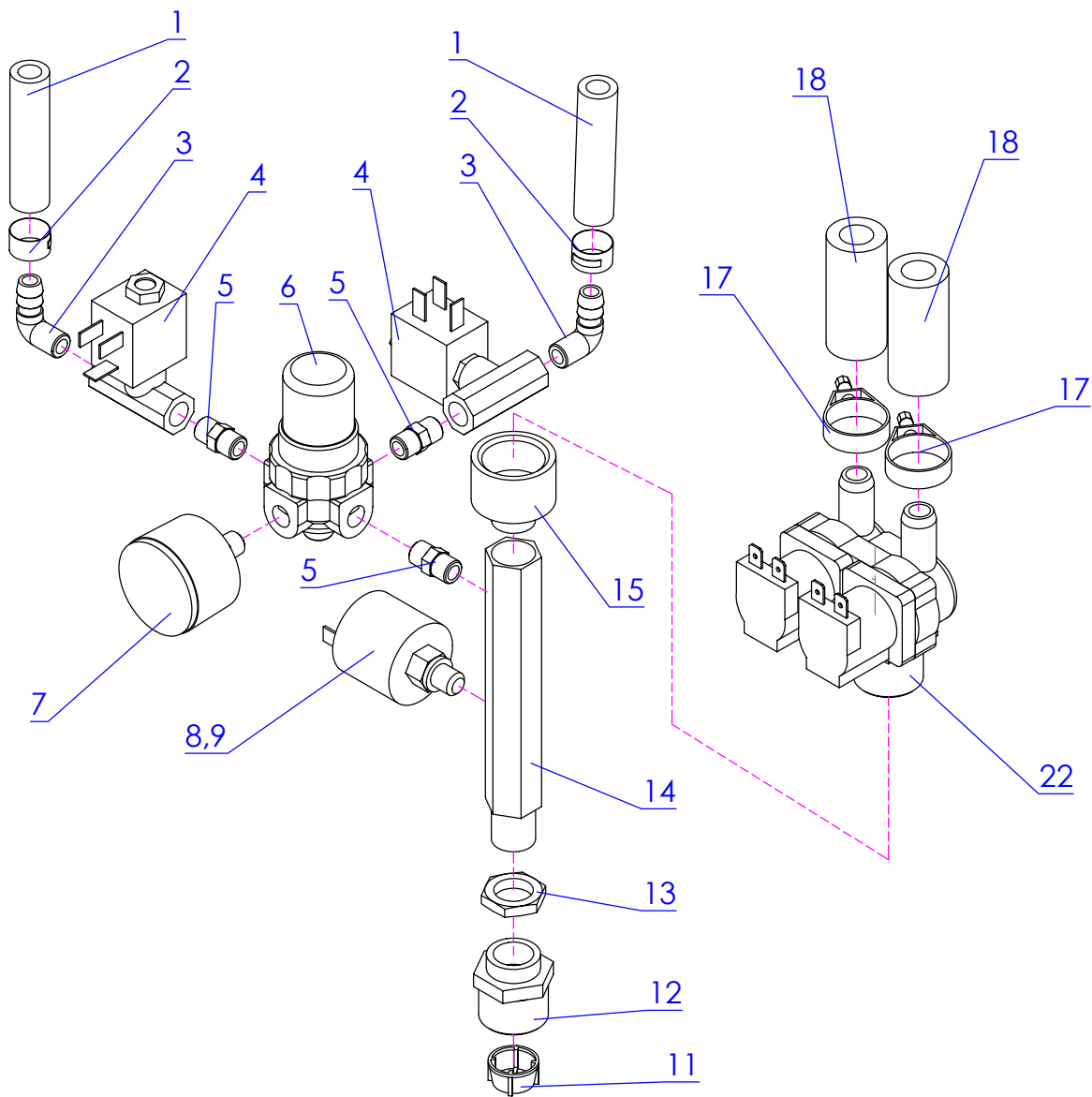
611 Pos. 9 ab Geräte Nr. 855
 Part No. 9 From unit No. 855
 Pièce No. 9 A partir de l'appareil No. 855

1011 Pos. 9 ab Geräte Nr. 694
 Part No. 9 From unit No. 694
 Pièce No. 9 A partir de l'appareil No. 694



20-11

2011 Pos. 9 ab Geräte Nr. 223
 Part No. 9 From unit No. 223
 Pièce No. 9 A partir de l'appareil No. 223

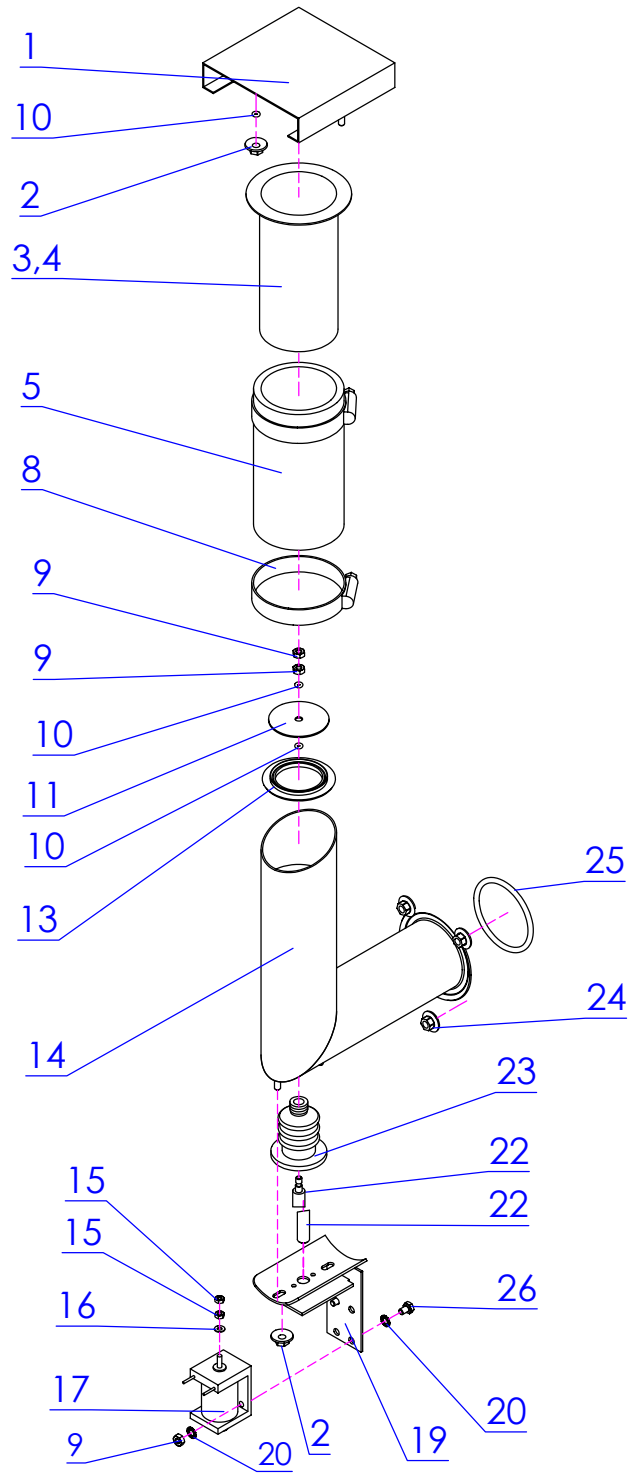


MA/MB/Genius/Genius Gaz/ 6-11 10-11 20-11

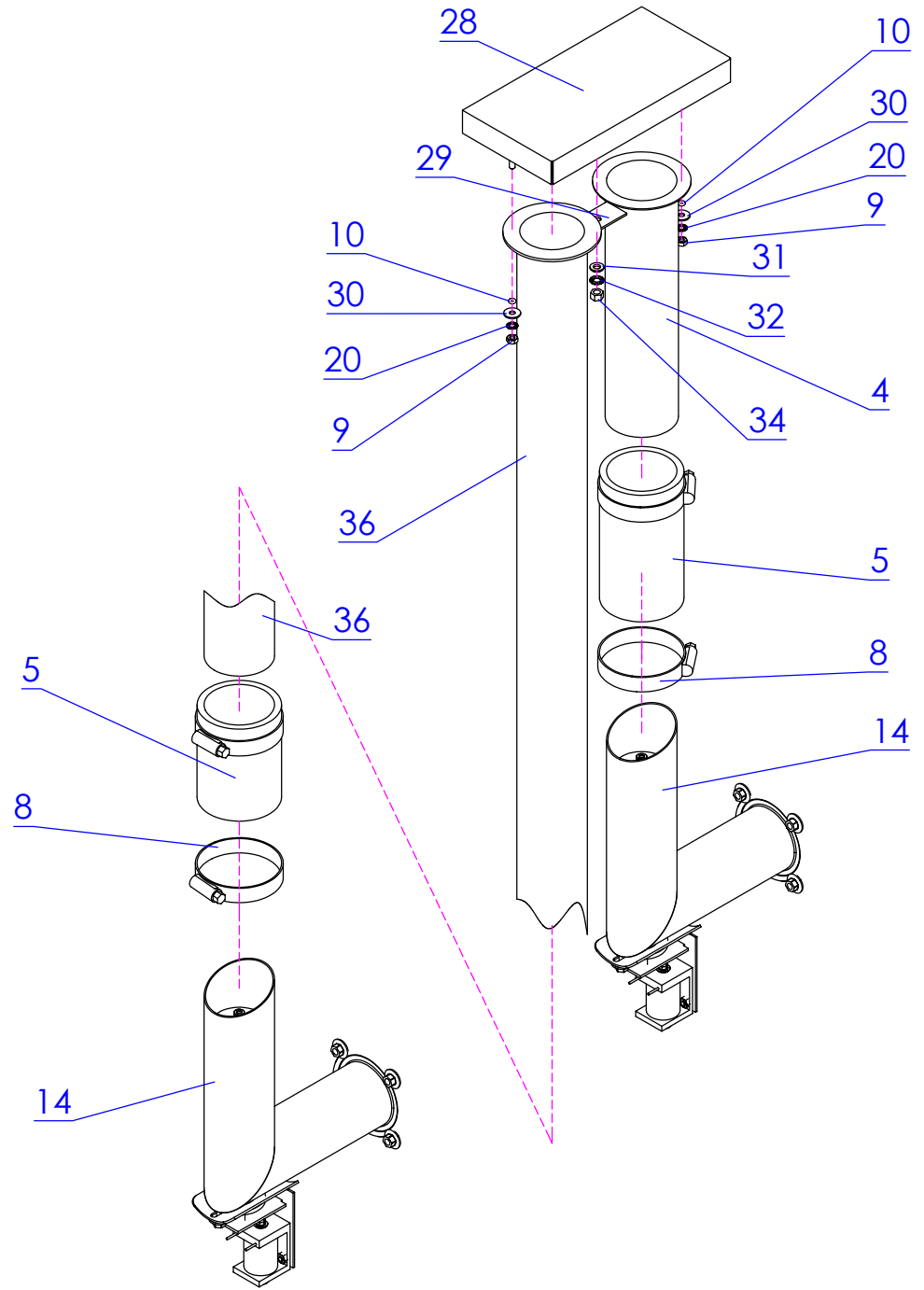
Pos.	Article no.	Description	Genius Gaz	Multimax A	Multimax B	Genius	Autoclean	6-11	10-11	20-11
1	e444050	Silicon hose 9,0x3,0 mm	●		●	●	●	●	●	●
2	e422017	Hose clip D 14	●		●	●	●	●	●	●
3	e440045	Angle stud 9 mm conn	●		●	●	●	●	●	●
4	e436040	Solenoid-valve type 2000 2/2-way dir	●		●	●	●	●	●	●
5	e440156	Double nipple, conical 1/8K	●		●	●	●	●	●	●
6	e598198	Conversion kit pressure reducer	●		●	●	●	●	●	●
7	e348009	Pressure gauge 0-4,0 bar	●		●	●	●	●	●	●
8	e598189	Conversion kit push button with	●		●	●	●	●	●	●
9	772305	Pressure switch 10 bar AC	●		●	●	●	●	●	●
11	e418017	Mudguard	●		●	●	●	●	●	●
12	e440039	Reduction piece A 3/4" I 3/8"	●		●	●	●	●	●	●
13	e505057	Hexagonal nut 3/8" 4,5 nickeled	●		●	●	●	●	●	●
14	779660	Vertial pipe d2k	●		●	●	●	●	●	●
15	e440155	Reducer 3/8 x 3/4 Autoclean	●		●	●	●	●	●	●
16	e436032	Solenoid valve, simple 180 degree	●		●	●	●	●	●	
17	e422073	Hose clip CrNi D 25	●		●	●	●	●	●	●
18	753661	Steam tube 13x5 EPDM blue	●		●	●	●	●	●	●
20	e440101	Locking screw 1/8"	●		●	●	●	●	●	
22	e436033	Solenoid valve, double 180 degree	●		●	●	●			●

Pos.	Article no.	Description	Genius Gaz	Multimax A	Multimax B	Genius	Autoclean	6-11	10-11	20-11

6-11 10-11



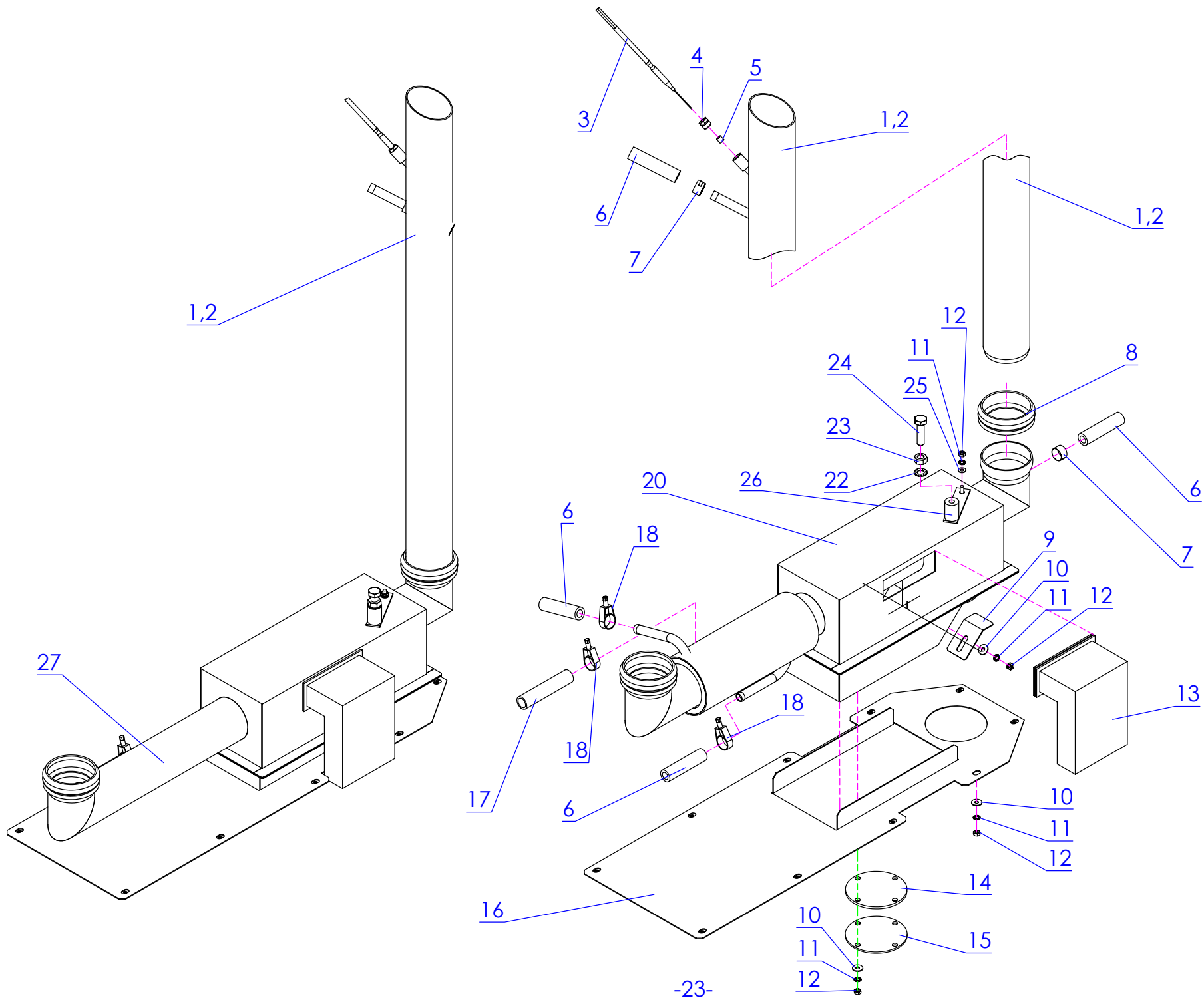
20-11



MA/MB/Genius/Genius Gaz/ 6-11 10-11 20-11

Pos.	Article no.	Description	Genius Gaz	Multimax A	Multimax B	Genius	Autoclean	6-11	10-11	20-11
1	e483177	Air intake cap ED	●	●	●	●	●	●	●	
2	e505077	Disk nut M4 A 2	●	●	●	●	●	●	●	●
3	e442186	Air inlet pipe 110 mm	●	●	●	●	●	●		
4	e442187	Air inlet pipe 205 mm	●	●	●	●	●		●	
5	e444042	Silicon hose d=50x5	●	●	●	●	●	●	●	●
8	e422057	Hose clamp 40-60 mm	●	●	●	●	●	●	●	●
9	e505031	Hexagonal nut ISO 4032 M4 V2A DI	●	●	●	●	●	●	●	●
10	e425020	O-ring, 3,68x1,78 VITON	●	●	●	●	●	●	●	●
11	e483163	Flap supply air ED	●	●	●	●	●	●	●	●
13	e425169	Gasket air inlet tube ED	●	●	●	●	●	●	●	●
14	e442181	Air inlet pipe EDB/EDC	●	●	●	●	●	●	●	●
15	e505030	Hexagon nut ISO 4032 M 3 V2A DIN 93	●	●	●	●	●	●	●	●
16	e508005	Washer DIN 125 A 3,2 V2A	●	●	●	●	●	●	●	●
17	e322024	Lifting magnet air flap EB 30, ED,	●	●	●	●	●	●	●	●
19	e483164	Supporting plate compl. supply air t	●	●	●	●	●	●	●	●
20	e510013	Toothed disk DIN 6797 J 4,3 V2A	●	●	●	●	●	●	●	●
22	e403053	Lifting rod air supply ED	●	●	●	●	●	●	●	●
23	e427060	Accordion tube silicon grease resi	●	●	●	●	●	●	●	●
24	e505117	Disk nut M5 V2A	●	●	●	●	●	●	●	●
25	757071	Gasket,supply air cooking chamber 6	●	●	●	●	●	●	●	●
26	e500264	Hexagon cap screw ISO4017 M4x6 V2A	●	●	●	●	●	●	●	●
28	751987	Double cap supply air d2k	●	●	●	●	●			●
28	751987	Cap door lock 12/20-21 d2k	●	●	●	●	●			●
29	757217	Holding plate air inlet 20-11 20-2	●	●	●	●	●			●
30	e508031	Washer DIN 9021 A 4,3 V2A	●	●	●	●	●	●	●	●
31	e508002	Washer DIN 125 A 5,3 V2A	●	●	●	●	●	●	●	●
32	e510014	Toothed disk DIN 6797 J 5,3 V2A	●	●	●	●	●	●	●	●
34	e505024	Hexagon nut ISO 4032 M 5 V2A DI	●	●	●	●	●	●	●	●
36	756946	Connecting tube air inlet Ed 20-11/2	●	●	●	●	●			●

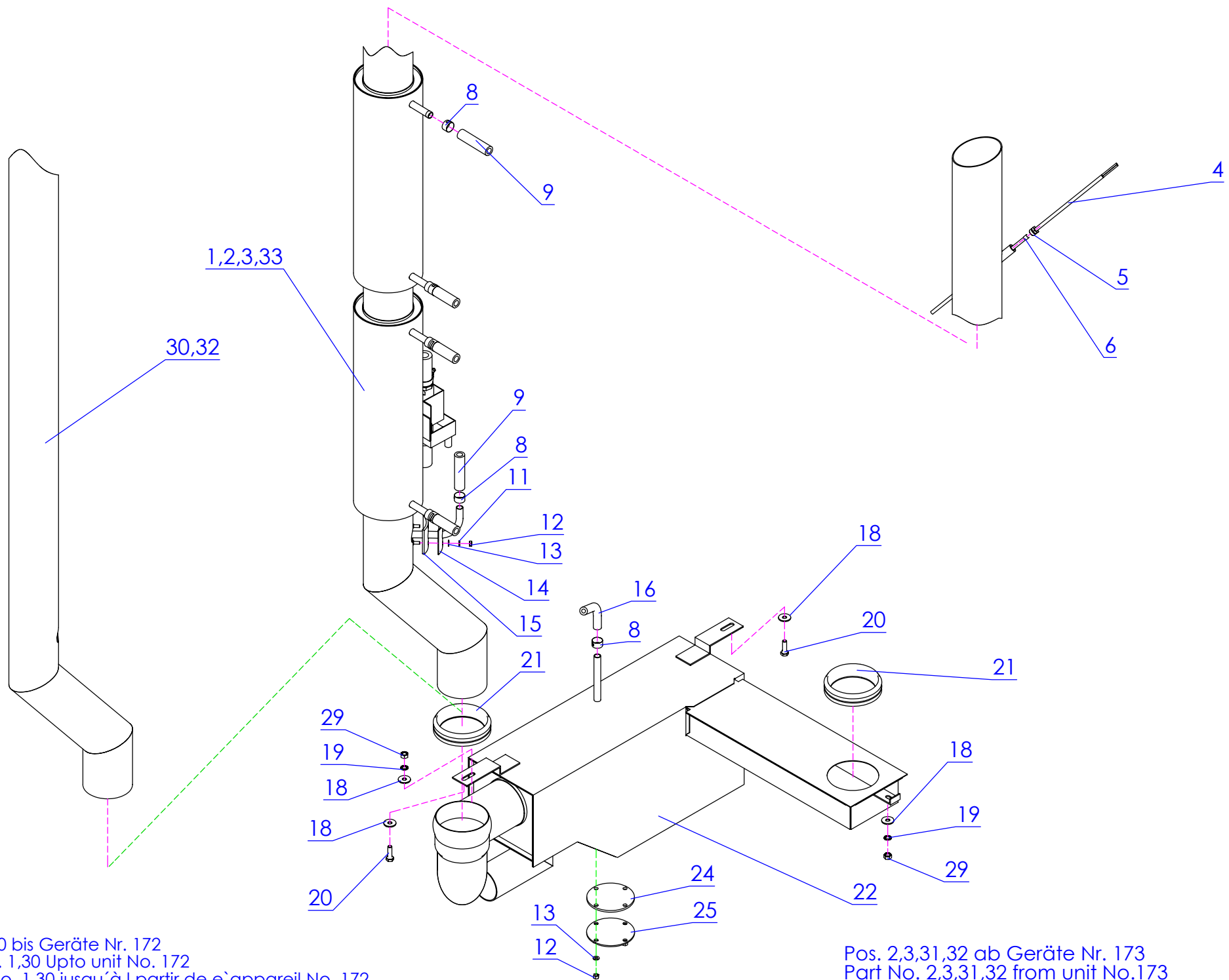
Pos.	Article no.	Description	Genius Gaz	Multimax A	Multimax B	Genius	Autoclean	6-11	10-11	20-11



MA/MB/Genius/Genius Gaz/ 6-11 10-11 20-11

Pos.	Article no.	Description	Genius Gaz	Multimax A	Multimax B	Genius	Autoclean	6-11	10-11	20-11
1	772631	Air discharge pipe with spiral insert	•	•	•	•	•	•		
2	772658	Exhaust air tube with insert 10-11	•	•	•	•	•		•	
3	e316004	Thermoelement sensor Ni-Cr-Ni MI	•	•	•	•	•	•	•	
4	759864	Screw M 10x1 d=6,1 thermostat	•	•	•	•	•	•	•	
5	e425109	Gasket - thermostat probe	•	•	•	•	•	•	•	
6	e444050	Silicon hose 9,0x3,0 mm	•	•	•	•	•	•	•	
7	e422017	Hose clip D 14	•	•	•	•	•	•	•	
8	e425011	Silicone gasket DN 50	•	•	•	•	•	•	•	
9	742848	Locking angle siphon 6/10-11 d2k	•	•	•	•	•	•	•	
10	e508031	Washer DIN 9021 A 4,3 V2A	•	•	•	•	•	•	•	
11	e510013	Toothed disk DIN 6797 J 4,3 V2A	•	•	•	•	•	•	•	
12	e505031	Hexagonal nut ISO 4032 M4 V2A DI	•	•	•	•	•	•	•	
13	740896	Silicon seal 6/10-11 d2k overflow sip	•	•	•	•	•	•	•	
14	740853	Gasket siphon 6/10-11 d2k	•	•	•	•	•	•	•	
15	740861	Sealing flange 6/10-11 d2k	•	•	•	•	•	•	•	
16	745510	Mounting plate Siphon 61011 d2k	•	•	•	•	•	•	•	
17	e444030	Silicon hose d12 D16	•	•	•	•	•	•	•	
18	e422018	Hose clip D 19	•	•	•	•	•	•	•	
20	740454	Siphon 6/10-11 d2k	•		•	•	•	•	•	
22	e510016	Toothed disk DIN 6797 J 8,4 V2A	•	•	•	•	•	•	•	
23	e505033	Hexagonal nut ISO 4032 M8 V2A DI	•	•	•	•	•	•	•	
24	e500278	Hexagon cap screw M8x30 ISO 4017	•	•	•	•	•	•	•	
25	e508012	Washer DIN 125 A 4,3 V2A	•	•	•	•	•	•	•	
26	740632	Support cooking chamber 61011	•		•	•	•	•	•	
27	748625	Siphon MA 6/10-11 d2k without hea		•			•	•	•	
####	763055	Harness ground exhaust air pipe d2k	•		•	•	•	•	•	

Pos.	Article no.	Description	Genius Gaz	Multimax A	Multimax B	Genius	Autoclean	6-11	10-11	20-11



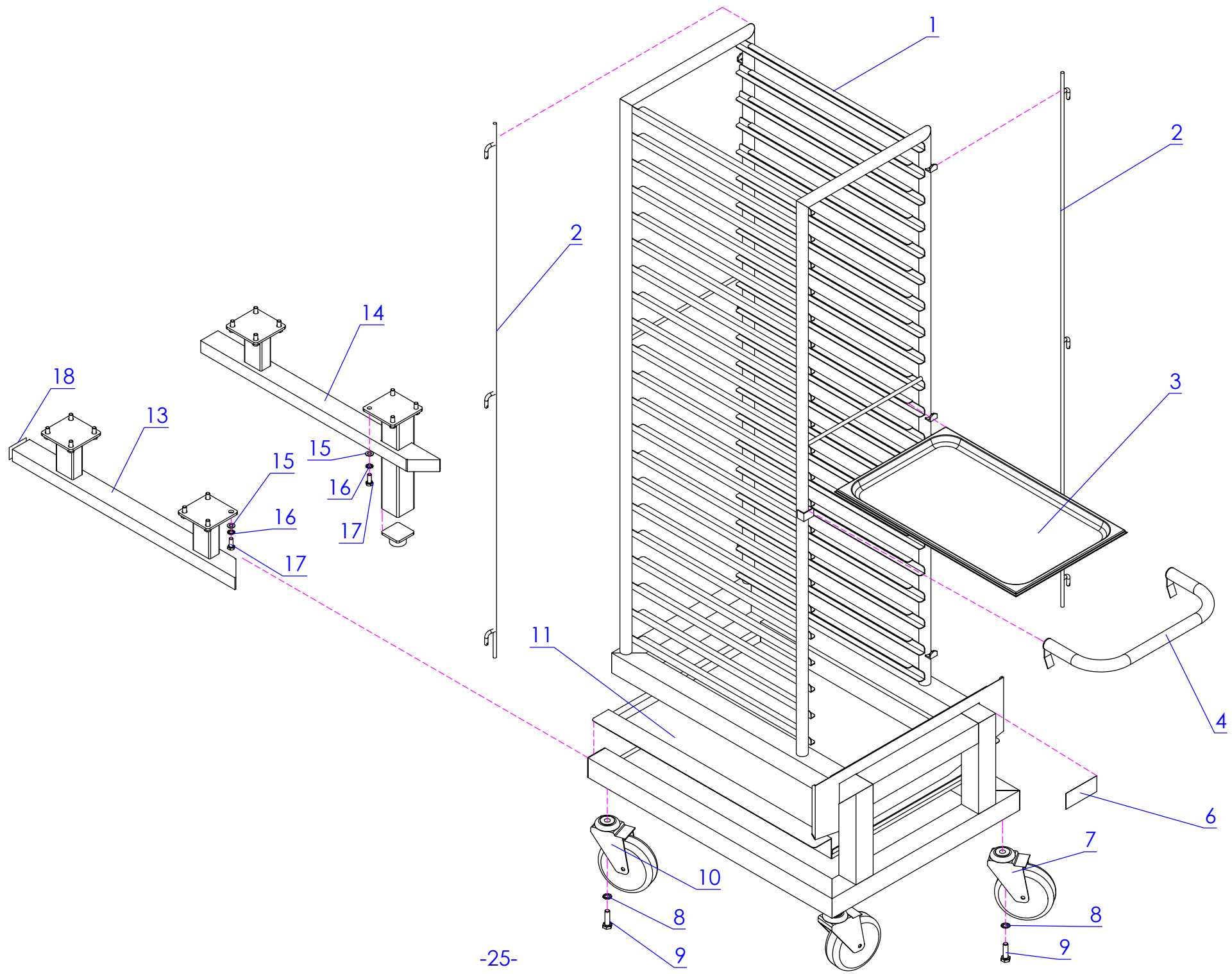
Pos. 1,30 bis Geräte Nr. 172
 Part No. 1,30 Upto unit No. 172
 Pièce No. 1,30 jusqu'à l'appareil No. 172

Pos. 2,3,31,32 ab Geräte Nr. 173
 Part No. 2,3,31,32 from unit No.173
 Pièce No. 2,3,31,32 à partir de l'appareil No. 173

MA/MB/Genius/Genius Gaz/ 6-11 10-11 20-11

Pos.	Article no.	Description	Genius Gaz	Multimax A	Multimax B	Genius	Autoclean	6-11	10-11	20-11
1	745979	Heat exchanger 2021 d2k								
2	771260	Heat exchanger complete 2011 2021								
3	746010	Heat exchanger assembled 2021 d2k								
4	e316004	Thermoelement sensor Ni-Cr-Ni M								
5	759864	Screw M 10x1 d=6,1 thermostat								
6	e425109	Gasket - thermostat probe								
8	e422063	Clamping ring s/s for hose D 9 x								
9	e444050	Silicon hose 9,0x3,0 mm								
11	e510013	Toothed disk DIN 6797 J 4,3 V2A								
12	e505031	Hexagonal nut ISO 4032 M4 V2A DI								
13	e508012	Washer DIN 125 A 4,3 V2A								
14	e442297	Water supply tube heat exchanger								
15	e425221	Gasket water supply tube heat excha								
16	e444050	Silicon hose 9,0x3,0 mm								
18	e508033	Washer DIN 9021 A 6,4 V2A								
19	e510015	Toothed disk DIN 6797 J 6,4 V2A								
20	e500054	Hexagon cap screw ISO4017 M6 x 20 V2								
21	e425135	Sealing element silicon D=73								
22	745782	Siphon 20-11 d2k								
24	740853	Gasket siphon 6/10-11 d2k								
25	740861	Sealing flange 6/10-11 d2k								
29	e505032	Hexagonal nut ISO 4032 M6 V2A DI								
30	771759	Air discharge pipe 20-11 d2k								
32	771740	Air discharge pipe assembled								
33	771252	Heat exchanger assembled 2011 2021								
####	763055	Harness ground exhaust air pipe d2k								

Pos.	Article no.	Description	Genius Gaz	Multimax A	Multimax B	Genius	Autoclean	6-11	10-11	20-11

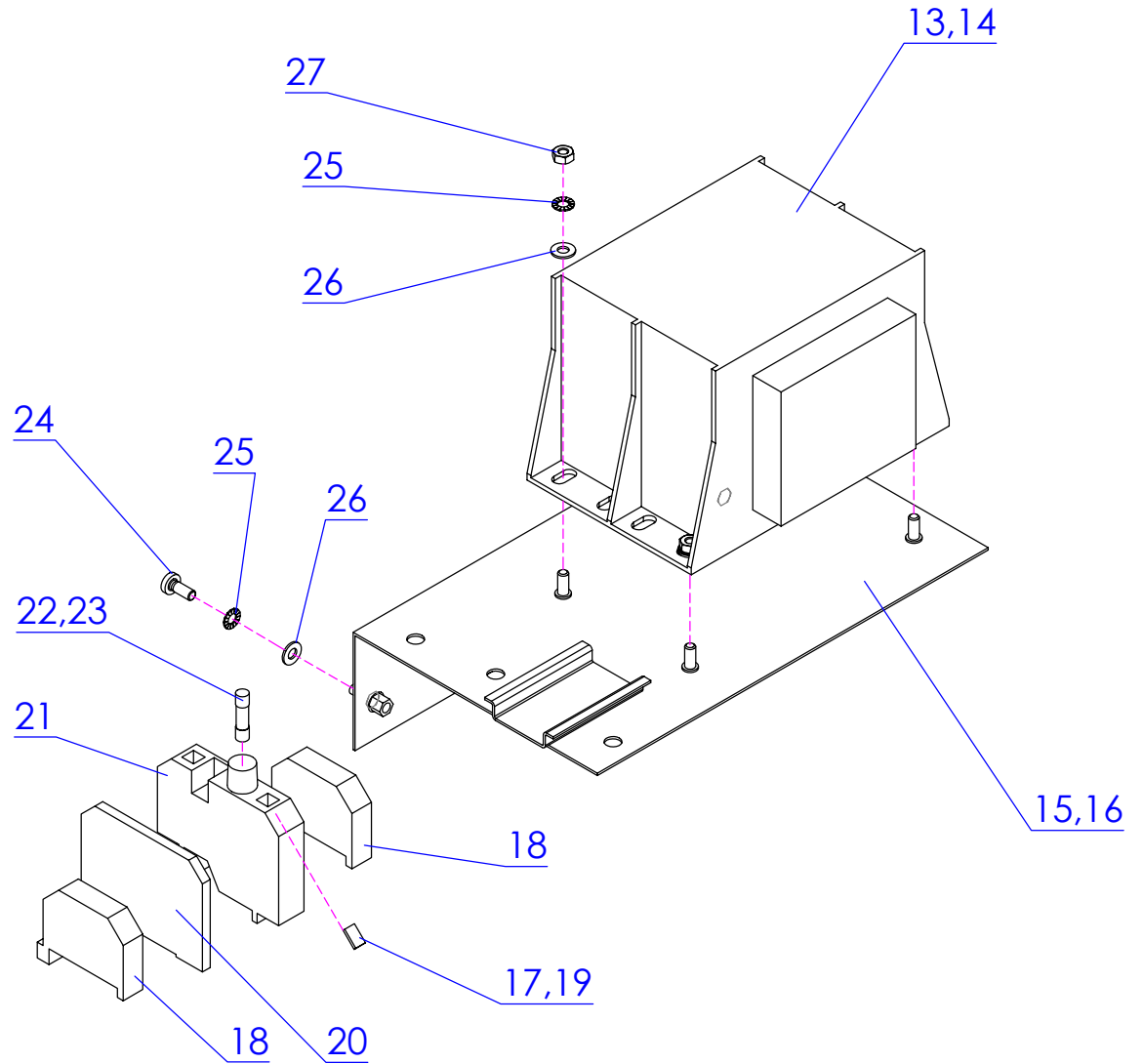
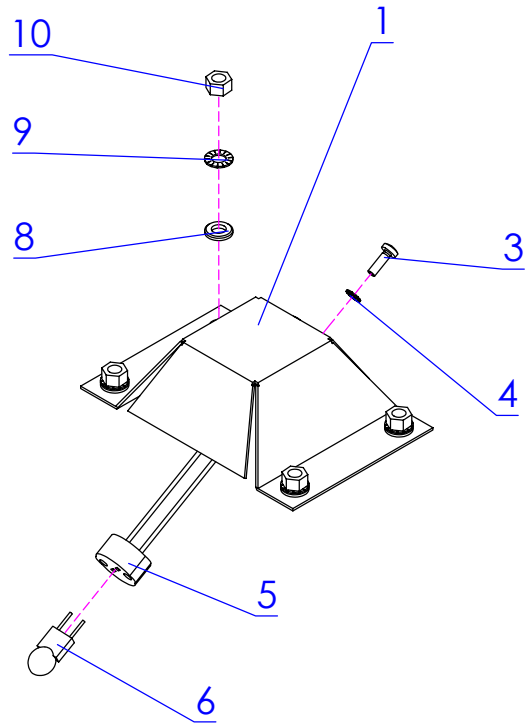


Achtung! Aufbauänderung siehe Seite 15
Attention! Modified construction see page 15
Attention! Construction modifié voir page 15

611 ab Geräte Nr. 228
From unit No. 228
A partir de l'appareil No. 228

1011 ab Geräte Nr. 189
From unit No. 189
A partir de l'appareil No. 189

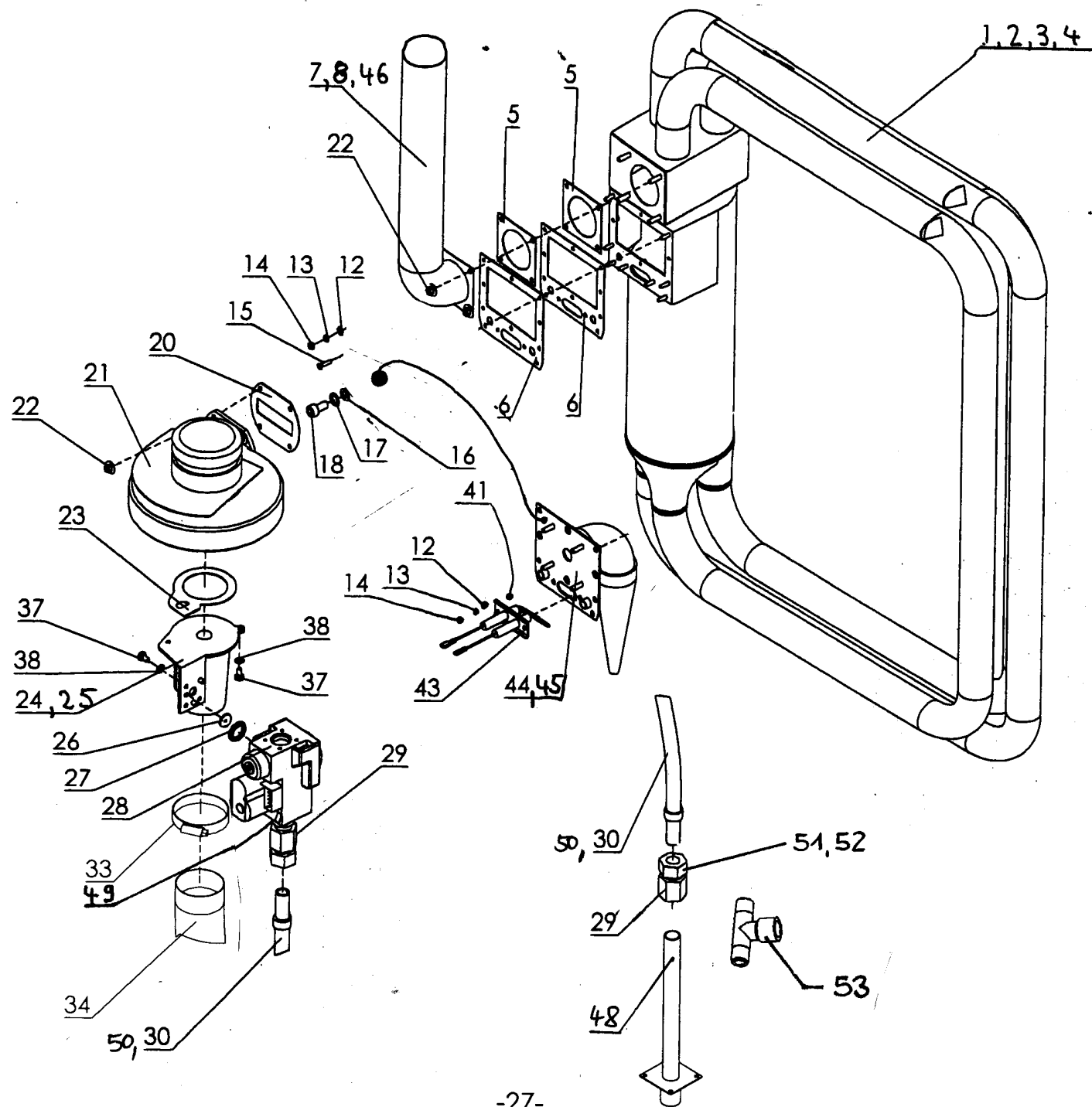
2011 ab Geräte Nr. 110
From unit No. 110
A partir de l'appareil No. 110



MA/MB/Genius/Genius Gaz/ 6-11 10-11 20-11

Pos.	Article no.	Description	Genius Gaz	Multimax A	Multimax B	Genius	Autoclean	6-11	10-11	20-11
1	742236	Reflector d2k illumination	●	●	●	●	●	●	●	●
3	e500095	Oval-head screw DIN 7985 M 3x10 V2A	●	●	●	●	●	●	●	●
4	e510020	Toothed disk DIN 6797 J 3,2 V2A	●	●	●	●	●	●	●	●
5	e314029	Halogen lamp-holder witch socket	●	●	●	●	●	●	●	●
6	e312021	Halogen lamp 12V 20W	●	●	●	●	●	●	●	●
8	e508002	Washer DIN 125 A 5,3 V2A	●	●	●	●	●	●	●	●
9	e510014	Toothed disk DIN 6797 J 5,3 V2A	●	●	●	●	●	●	●	●
10	e505029	Hexagon nut ISO 4032 M 5 brass	●	●	●	●	●	●	●	●
13	e310021	Transformer 230/11,5V 44 VA	●	●	●	●	●	●	●	●
14	e310024	Transformer EB/ED 20-21	●	●	●	●	●	●	●	●
15	765104	Mounting plate trafo light 61011	●	●	●	●	●	●	●	●
16	765112	Mounting plate trafo light 2011/2	●	●	●	●	●	●	●	●
17	e375002	Fine fuse 10 A slow 5 x 20 mm	●	●	●	●	●	●	●	●
18	e371010	End clamp for rail 35 DIN	●	●	●	●	●	●	●	●
19	e362162	Designation strip "4 A"	●	●	●	●	●	●	●	●
20	e371009	End plate fuse clamp	●	●	●	●	●	●	●	●
21	e373009	Fuse clamp 35 DIN	●	●	●	●	●	●	●	●
22	e375009	Fine fuse 4 AT	●	●	●	●	●	●	●	●
23	e362068	Designation strip "10 A"	●	●	●	●	●	●	●	●
24	e500098	Oval-head screw DIN 7985 M 4x10 V2A	●	●	●	●	●	●	●	●
25	e510013	Toothed disk DIN 6797 J 4,3 V2A	●	●	●	●	●	●	●	●
26	e508012	Washer DIN 125 A 4,3 V2A	●	●	●	●	●	●	●	●
27	e505031	Hexagonal nut ISO 4032 M4 V2A DI	●	●	●	●	●	●	●	●
####	e304370	Harness modification light 61011	●	●	●	●	●	●	●	●
####	e304371	Harness modification light 2011/2	●	●	●	●	●	●	●	●

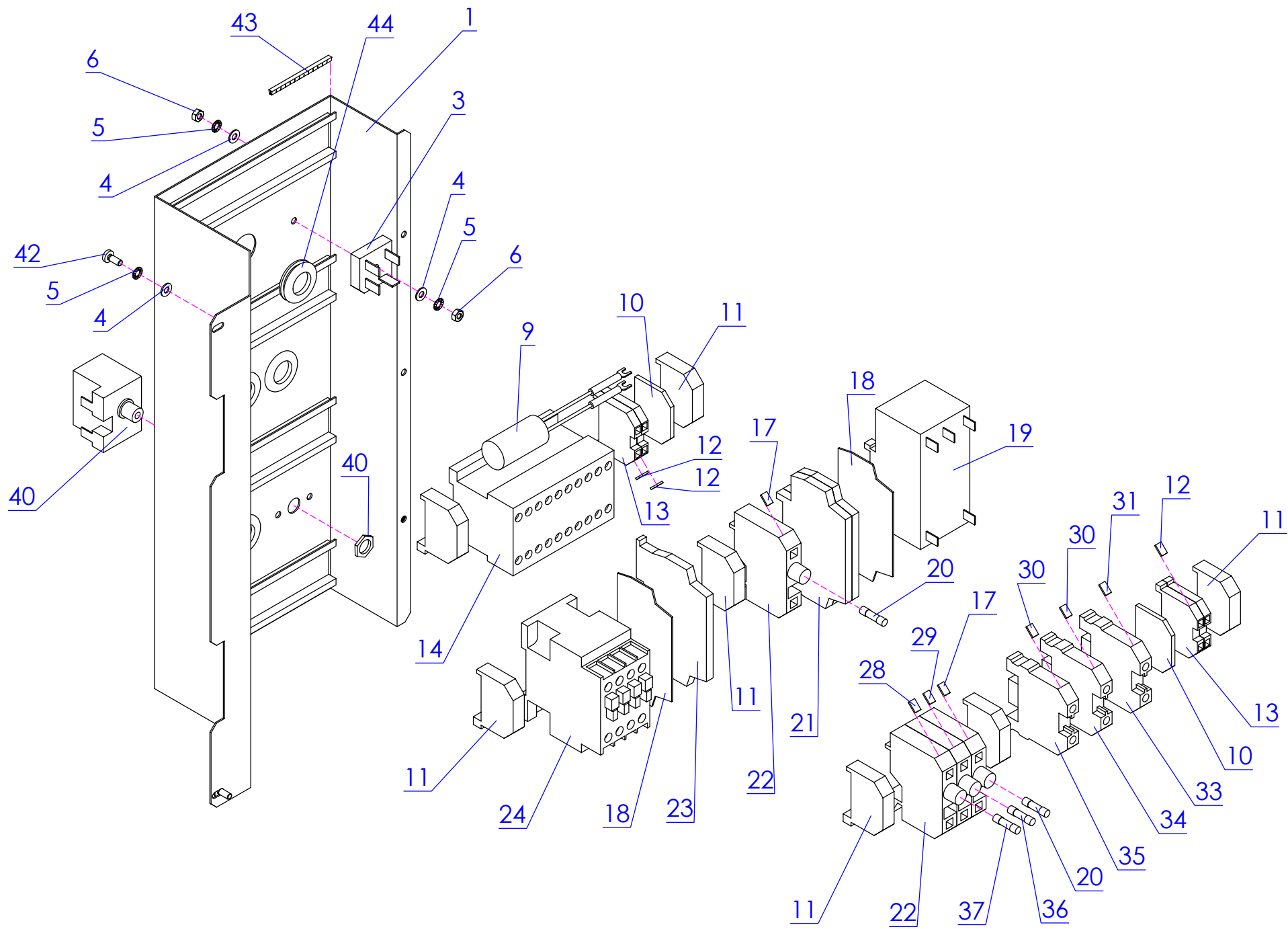
Pos.	Article no.	Description	Genius Gaz	Multimax A	Multimax B	Genius	Autoclean	6-11	10-11	20-11



MA/MB/Genius/Genius Gaz/ 6-11 10-11 20-11

Pos.	Article no.	Description	Genius Gaz	Multimax A	Multimax B	Genius	Autoclean	6-11	10-11	20-11
1	744042	Heat exchanger gas right 1011 2011	●				●	●	●	●
2	762733	Heat exchanger gas right 611 d2k	●				●	●		
3	742597	Heat exchanger gas, left 6-11 d2k	●				●	●		
4	765767	Heat exchanger gas left 1011 2011	●				●		●	●
5	742678	Gasket/exhaust gas flange 6/10/20-11	●				●	●	●	●
6	742651	Gasket/burner unit 6/10/20-11	●				●	●	●	●
7	744026	Exhaust gas pipe 1011 d2k	●				●		●	●
8	742694	Exhaust gas pipe 6-11 d2k	●				●	●		
12	e508012	Washer DIN 125 A 4,3 V2A	●				●	●	●	●
13	e510013	Toothed disk DIN 6797 J 4,3 V2A	●				●	●	●	●
14	e505031	Hexagonal nut ISO 4032 M4 V2A DI	●				●	●	●	●
15	e500130	Countersunk screw DIN 965 M4 x 16 V2	●				●	●	●	●
16	e427038	Copper gasket	●				●	●	●	●
17	e510016	Toothed disk DIN 6797 J 8,4 V2A	●				●	●	●	●
18	e500263	Cheese head screw DIN 912 M8x15 VA	●				●	●	●	●
20	742716	Gasket/fan gas d2k	●				●	●	●	●
21	742686	Radial fan gas d2k	●				●	●	●	●
22	e505117	Disk nut M5 V2A	●				●	●	●	●
23	744085	Gasket Venturi d2k	●				●	●	●	●
24	743925	Venturi 611 d2k	●				●	●		
25	743933	Venturi 1011 2011 d2k	●				●		●	●
26	743984	Nozzle liquid gas Venturi 1011 2011	●				●	●	●	●
27	743941	Set of gaskets d2k gas regulat	●				●	●	●	●
28	744050	Gas regulating valve d2k	●				●	●	●	●
29	e440170	Partition screwing gas d2k	●				●	●	●	●
30	e444062	Hose d2k gas	●				●	●	●	●
33	e422057	Hose clamp 40-60 mm	●				●	●	●	●
34	e444065	Air hose DN 51 polyurethar	●				●	●	●	●
37	e500105	Oval-head screw DIN 7985 N	●				●	●	●	●
38	e510014	Toothed disk DIN 6797 J 5,3 V2A	●				●	●	●	●
41	742724	Gasket/electrode block d2k	●				●	●	●	●
43	768979	Electrode block 61011 d2k burner	●				●	●	●	●
44	770973	Burner, conical 611 d2k	●				●	●		
45	770981	Burner, conical 10-2011 d2k	●				●		●	●
46	771619	Exhaust gas pipe compl. bottom 201	●				●			●
48	771694	Vertical pipe compl. gas d2k	●				●			
49	770914	Flange straight 1/2"	●				●			
50	774367	Hose d2k gas	●				●	●	●	●

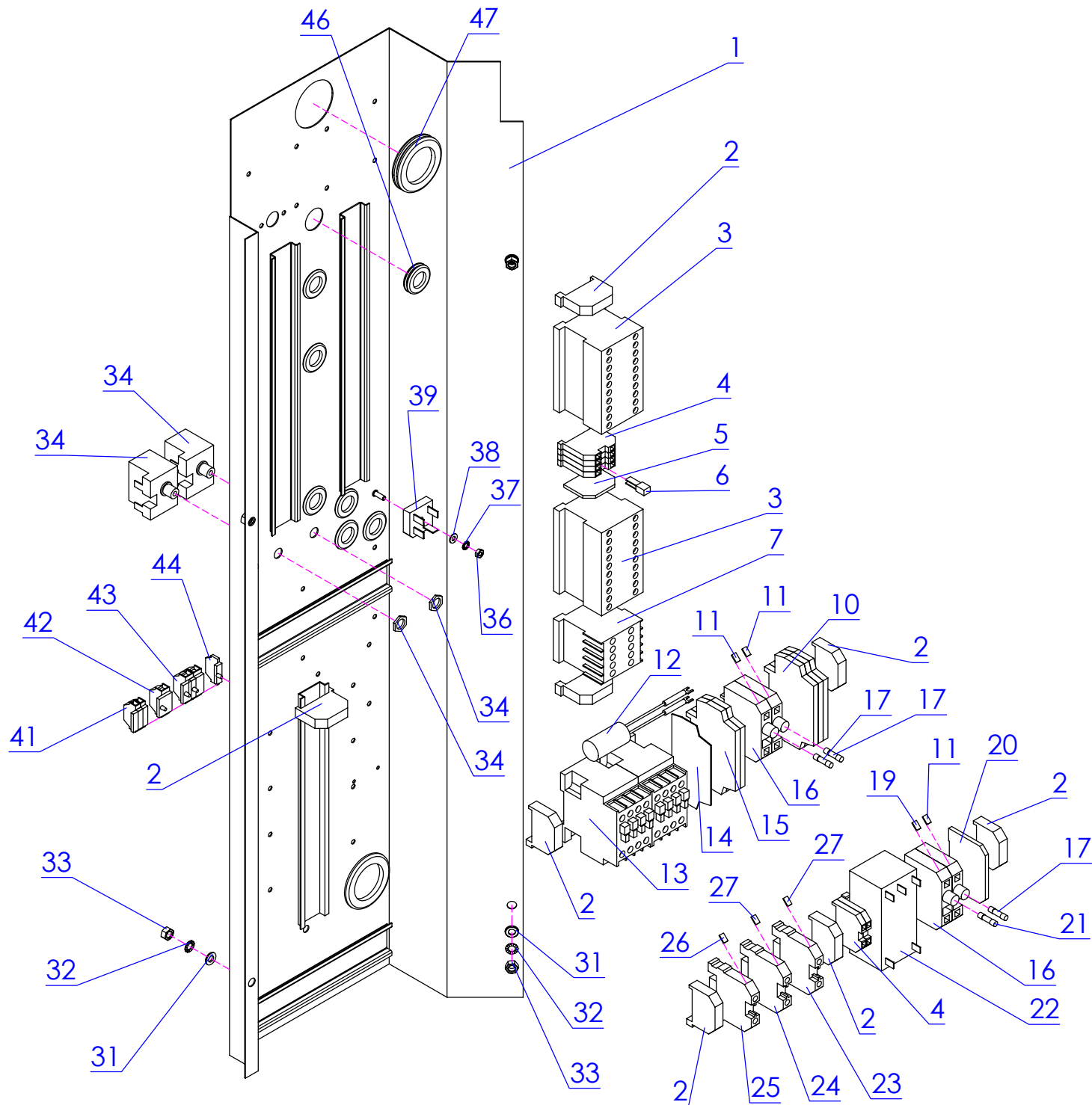
Pos.	Article no.	Description	Genius Gaz	Multimax A	Multimax B	Genius	Autoclean	6-11	10-11	20-11
51	773832	Function nut VA RD 15	●				●	●	●	●
52	773840	Function nut VA RD 22	●				●	●	●	●
53	773867	T-reducer D22-D15-D15 without nut	●				●	●	●	●



MA/MB/Genius/Genius Gaz/ 6-11 10-11 20-11

Pos.	Article no.	Description		Genius Gaz							
				Multimax A	Multimax B	Genius	Autoclean	6-11	10-11	20-11	
1	744514	Electric mounting plate 6/10-11 hin	●			●	●	●	●		
3	e308056	Bridge rectifier	●			●	●	●	●		
4	e508012	Washer DIN 125 A 4,3 V2A	●			●	●	●	●		
5	e510013	Toothed disk DIN 6797 J 4,3 V2A	●			●	●	●	●		
6	e505031	Hexagonal nut ISO 4032 M4 V2A DI	●			●	●	●	●		
9	e308077	Anti-interference capa-citor RC 0,2	●			●	●	●	●		
10	e371025	End plate for universal clamp 4qm	●			●	●	●	●		
11	e371010	End clamp for rail 35 DIN	●			●	●	●	●		
12	e362070	Designation strip "" = connection	●			●	●	●	●		
13	e371022	Universal clamp grey 4qmm	●			●	●	●	●		
14	e324023	Turning contactor 230 V 50/6	●			●	●	●	●		
17	e362068	Designation strip "10 A"	●			●	●	●	●		
18	752452	Intermediate end plate d2k	●			●	●	●	●		
19	742767	Interference filter d2k voltage sup	●			●	●	●	●		
20	e375002	Fine fuse 10 A slow 5 x 20 mm	●			●	●	●	●		
21	742813	Auxiliary relay 230 V	●			●	●	●	●		
22	e373009	Fuse clamp 35 DIN	●			●	●	●	●		
23	764116	Auxiliary relay 12 v	●			●	●	●	●		
24	e324001	Contacto A9/30-10 230 V 50-6	●			●	●	●	●		
28	e362162	Designation strip "4 A"	●			●	●	●	●		
29	e362067	Designation strip "2A"	●			●	●	●	●		
30	e362044	Designation strip "L1-PE"	●			●	●	●	●		
31	e362045	Designation strip "L1-PE"	●			●	●	●	●		
33	e371063	Protective conductor clamp 10 q	●			●	●	●	●		
34	e371064	Transit clamp grey, 10qmm 10 qmm	●			●	●	●	●		
35	e371069	Neutral conductor clamp blue 10qmr	●			●	●	●	●		
36	e375007	Fine fuse 2 A slow 5 x 20 mm	●			●	●	●	●		
37	e375009	Fine fuse 4 AT	●			●	●	●	●		
40	e336029	Safety thermal release 1-pole 360	●			●	●	●	●		
42	e500098	Oval-head screw DIN 7985 M 4x10 V2	●			●	●	●	●		
43	e427072	Edge protection 0,5 m d2k	●			●	●	●	●		
44	e306019	Rubber socket black PG 16	●			●	●	●	●		
####	e304357	Harness control 6/10-11 gas d2k	●			●	●	●	●		

Pos.	Article no.	Description	Genius Gaz								
			Multimax A	Multimax B	Genius	Autoclean	6-11	10-11	20-11		



MA/MB/Genius/Genius Gaz/ 6-11 10-11 20-11

Pos.	Article no.	Description	Genius Gaz	Multimax A	Multimax B	Genius	Autoclean	6-11	10-11	20-11
1	751901	Electric mounting plate	20-11 d2k	●			●			●
2	e371010	End clamp for rail 35 DIN		●			●			●
3	e324023	Turning contactor	230 V 50/6	●			●			●
4	e371022	Universal clamp grey 4qmm		●			●			●
5	e371025	End plate for universal	clamp 4qm	●			●			●
6	e371014	Cross bridge 4qmm 281		●			●			●
7	752177	Auxiliary contactor 4 S		●			●			●
10	742813	Auxiliary relay 230 V		●			●			●
11	e362068	Designation strip "10 A"		●			●			●
12	e308077	Anti-interference capa-	citor RC 0,2	●			●			●
13	e324001	Contacto A9/30-10	230 V 50-6	●			●			●
14	752452	Intermediate end plate	d2k	●			●			●
15	764116	Auxiliary relay 12 v		●			●			●
16	e373009	Fuse clamp 35 DIN		●			●			●
17	e373002	clamp rail		●			●			●
19	e362067	Designation strip "2A"		●			●			●
20	e371009	End plate fuse clamp		●			●			●
21	e375007	Fine fuse 2 A slow	5 x 20 mm	●			●			●
22	742767	Interference filter d2k	voltage sup	●			●			●
23	e371069	Neutral conductor clamp	blue 10qmr	●			●			●
24	e371064	Transit clamp grey, 10qmm	10 qmm	●			●			●
25	e371063	Protective conductor	clamp 10 q	●			●			●
26	e362045	Designation strip "L1-PE"		●			●			●
27	e362044	Designation strip "L1-PE"		●			●			●
31	e508013	Washer DIN 125 A 6,4	V2A	●			●			●
32	e510015	Toothed disk DIN 6797	J 6,4 V2A	●			●			●
33	e505032	Hexagonal nut ISO 4032	M6 V2A DI	●			●			●
34	e336029	Safety thermal release	1-pole 360	●			●			●
36	e505031	Hexagonal nut ISO 4032	M4 V2A DI	●			●			●
37	e510013	Toothed disk DIN 6797	J 4,3 V2A	●			●			●
38	e508012	Washer DIN 125 A 4,3	V2A	●			●			●
39	e308056	Bridge rectifier		●			●			●
41	e371041	Clamp grey 2 conductors	with flange	●			●			●
42	e371036	Clamp blue 4 conductors	blue	●			●			●
43	e371037	Clamp grey 4 conductors		●			●			●
44	e371039	End plate		●			●			●
46	e306019	Rubber socket black PG 16		●			●			●
47	e306025	Spout DG 36		●			●			●

Pos.	Article no.	Description	Genius Gaz	Multimax A	Multimax B	Genius	Autoclean	6-11	10-11	20-11